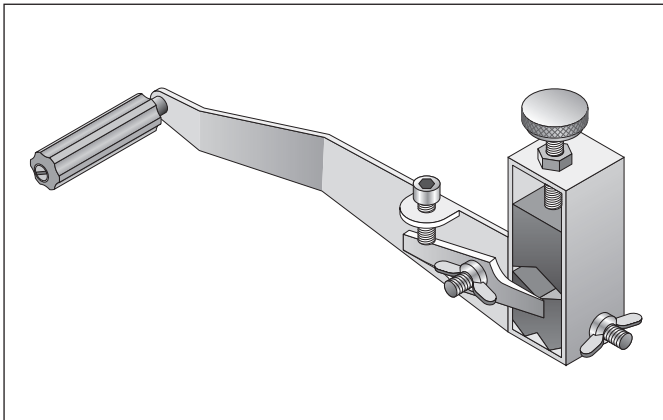




## PYROTENAX

# Sheathmaster Stripping Tool

## User Instructions for Tool Used to Strip Copper Sheathed Mineral Insulated Wiring Cables



### DESCRIPTION

The nVent PYROTENAX Sheathmaster Stripping Tool strips nVent PYROTENAX copper sheath MI cables with diameters up to 0.75 inches. The Sheathmaster Stripping Tool is supplied with a nylon guide block and one reversible blade. Replacement blades are available from nVent.

**Note:** To strip cables larger than 0.684 in, the Ratchet Type Stripping Tool is recommended.

### TOOLS AND ACCESSORIES REQUIRED

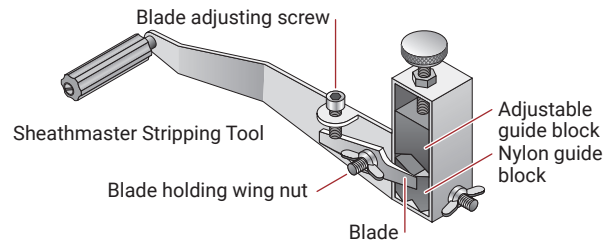
- nVent PYROTENAX Handvise (available from nVent)
- Safety glasses and protective gloves

### REPLACEMENT PARTS

- GLB Replacement blade for Sheathmaster Stripping Tool

### KIT CONTENTS

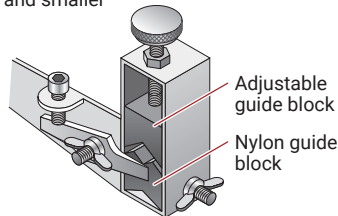
Item	Qty	Description
A	1	Sheathmaster Stripping Tool
B	1	This instruction sheet



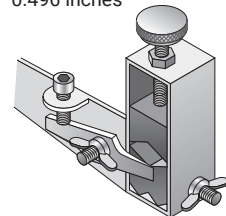
1

- Determine the cable size to be stripped. If cable diameter is greater than 0.496 inches, ensure that the nylon guide block is installed with the large notch facing the adjustable guide block. If cable diameter is 0.496 inches or smaller, ensure that the nylon guide block is installed with the small notch facing the adjustable guide block.

Nylon guide block shown for cable sizes of 0.496 inches and smaller



Nylon guide block shown for cable sizes larger than 0.496 inches



### WARNING:

- Wear safety glasses and protective gloves to avoid injury.

### IMPORTANT:

- To prevent moisture from entering the cable and to maintain the high performance of MI cable, the cable ends must be sealed as soon as the cable has been cut to length and the sheath removed as the magnesium oxide insulation will absorb moisture, lowering the insulation resistance.
- Do not use the Sheathmaster Stripping Tool to straighten the cable.

**2**

Lightly oil cable sheath over length being stripped

- Using an oily rag, apply some light machine oil on the outside of the cable sheath near the end. It will facilitate stripping. Do not use oil if employing epoxy resin to fill the pots.

**3**

Tightened until it is snug  
Cable  
Adjustable guide block

- Insert end of cable between guide blocks and tighten down the adjustable guide block so that the cable is held snugly but tool can turn.

**4**

Blade adjusting screw  
Blade holding wing nut  
Blade midway between sheath and conductor

- Loosen the blade holding wing nut and adjust blade position with blade adjusting screw until cutting face lies midway between inside of sheath and outside of nearest conductor. Tighten blade holding wing nut.

**5**

Rotate Sheathmaster Stripping Tool clockwise  
Handvise

- Grasp the cable with the Handvise or other tool that will not damage the cable sheath. Rotate Sheathmaster Stripping Tool in a clockwise direction starting sheath stripping action.

**6**

Solid conductor  
Handvise

- When sufficient sheath has been stripped, grip the cable with the Handvise and allow the Sheathmaster Stripping Tool to rotate against the jaws of the Handvise (or pliers). Remove tool, sheath cuttings and any loose insulation powder. Cable is now ready for sealing as shown in the instructions supplied with the termination kit.

**⚠ WARNING: Wear gloves when removing sheath cuttings to avoid cuts.**

**North America**  
Tel +1.800.545.6258  
Fax +1.800.527.5703  
thermal.info@nvent.com

**Europe, Middle East, Africa**  
Tel +32.16.213.511  
Fax +32.16.213.604  
thermal.info@nvent.com

**Asia Pacific**  
Tel +86.21.2412.1688  
Fax +86.21.5426.3167  
cn.thermal.info@nvent.com

**Latin America**  
Tel +1.713.868.4800  
Fax +1.713.868.2333  
thermal.info@nvent.com



nVent.com