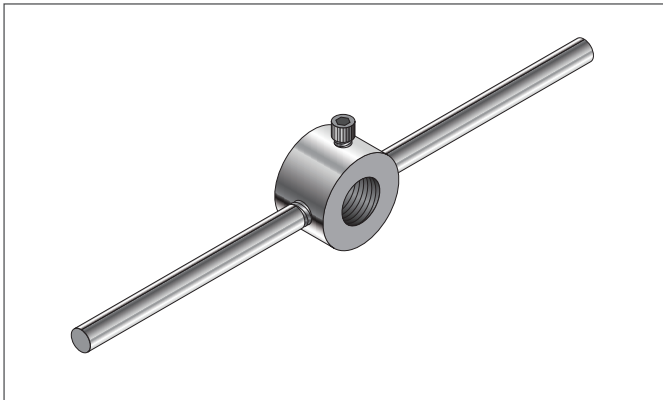




## PYROTENAX

# Pyropotter Tool

User Instructions for Tool Used to Thread Brass Pots onto Copper Sheathed Mineral Insulated Wiring Cables



### DESCRIPTION

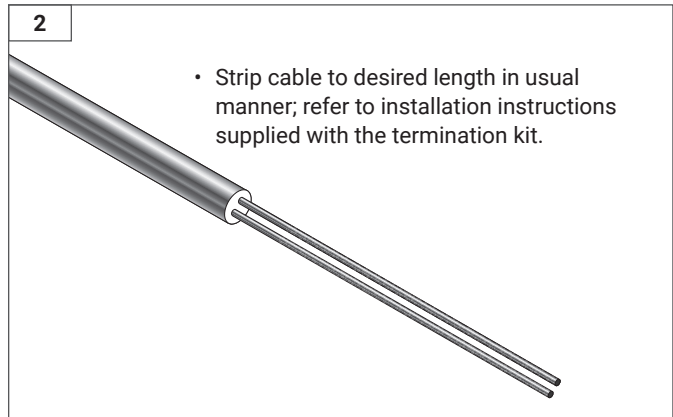
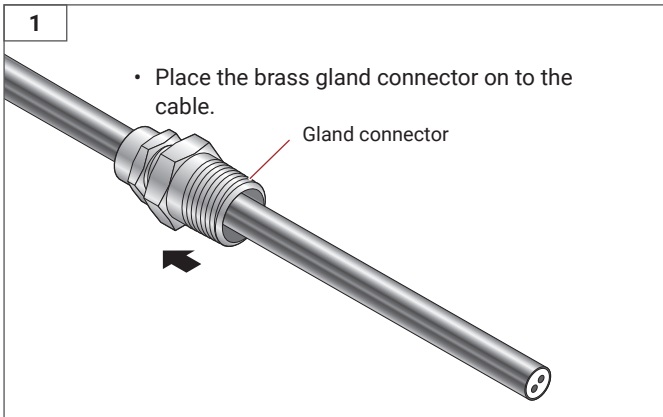
The nVent PYROTENAX Pyropotter Tool simplifies installation of the pot, allowing it to be installed more quickly, accurately and securely than by any other means.

### TOOLS REQUIRED

- 3/16 in Allen key for 1/2 in and 3/4 in Pyropotter Tools
- 5/16 in Allen key for 1 in and 1-1/4 in Pyropotter Tools

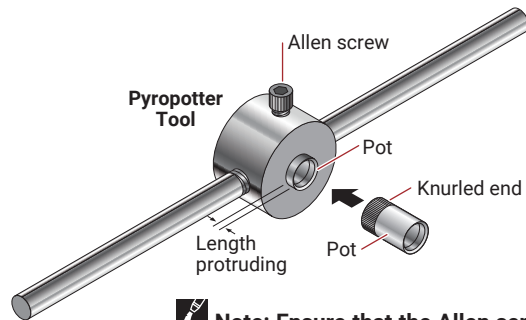
### KIT CONTENTS

Item	Qty	Description
A	1	Pyropotter Tool
B	1	This instruction sheet

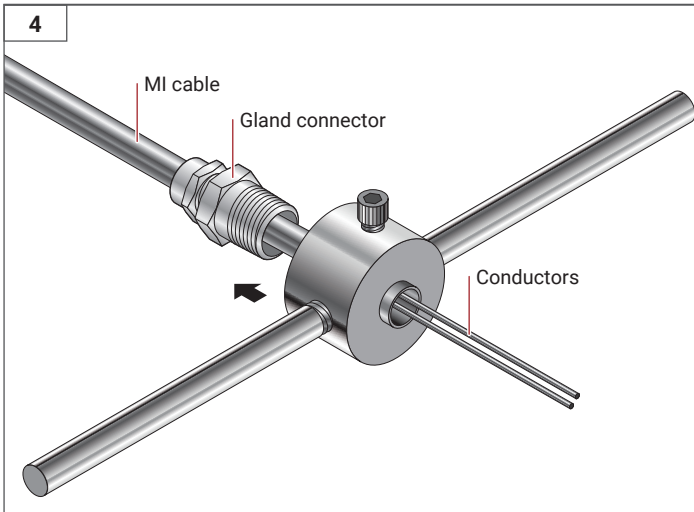


Pyropotter Tool Size	Length of pot protruding
1/2 in	1/16 in (1.5 mm)
3/4 in	3/8 in (9.5 mm)
1 in	3/8 in (9.5 mm)
1-1/4 in	5/8 in (16 mm)

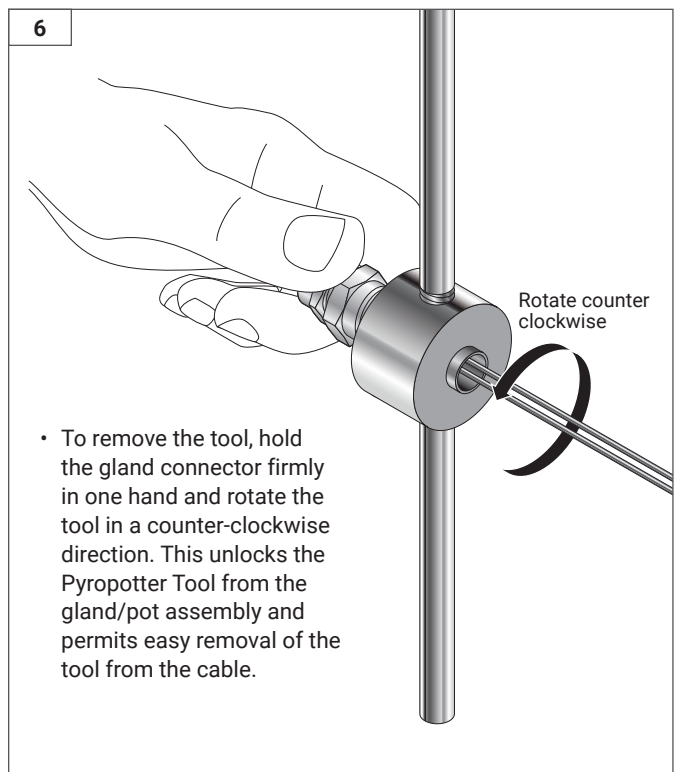
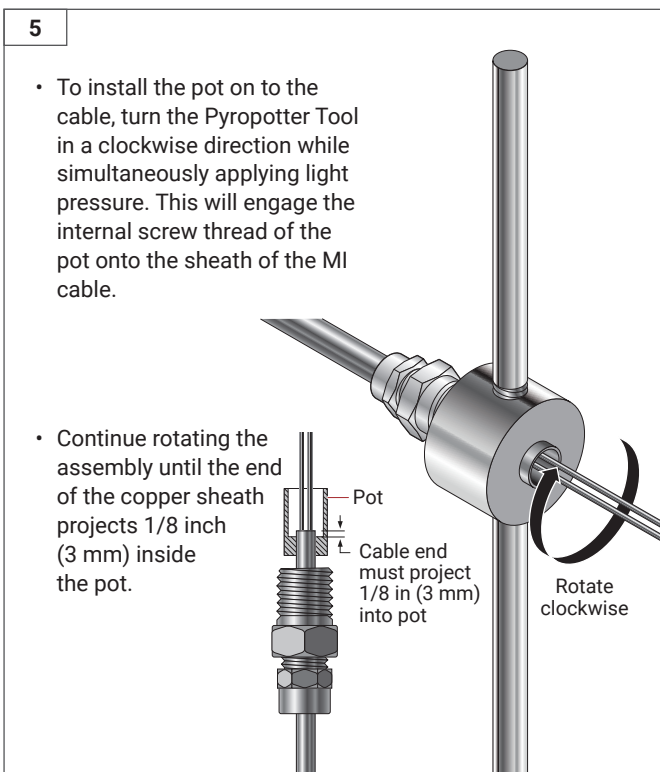
- Next, tighten the Allen screw on to the pot. Use a 3/16 in Allen key for the 1/2 in and 3/4 in Pyropotter Tool and a 5/16 in Allen key for the 1 in and 1-1/4 in Pyropotter Tool.



**Note:** Ensure that the Allen screw is tightened onto the knurled end of the pot.



- Slide the Pyropotter Tool/pot assembly over the exposed conductors of the cable, threaded end of Pyropotter Tool first, until it stops at the face of the cable.
- Screw the gland connector (already on the cable) all the way into the threaded end of the Pyropotter Tool - finger tight is sufficient.



**North America**  
 Tel +1.800.545.6258  
 Fax +1.800.527.5703  
 thermal.info@nvent.com

**Europe, Middle East, Africa**  
 Tel +32.16.213.511  
 Fax +32.16.213.604  
 thermal.info@nvent.com

**Asia Pacific**  
 Tel +86.21.2412.1688  
 Fax +86.21.5426.3167  
 cn.thermal.info@nvent.com

**Latin America**  
 Tel +1.713.868.4800  
 Fax +1.713.868.2333  
 thermal.info@nvent.com



nVent.com