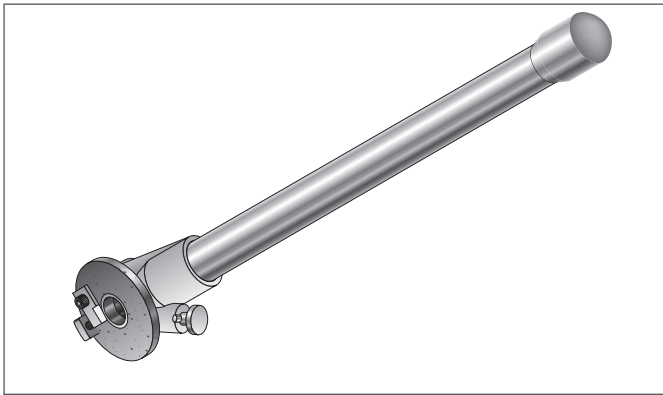




PYROTENAX

Ratchet Type Stripping Tool

User Instructions for Tool Used to Strip Copper Sheathed Mineral Insulated Wiring Cables



REPLACEMENT PARTS

PSTRIPB Replacement blade for Ratchet Type Stripping Tool

KIT CONTENTS

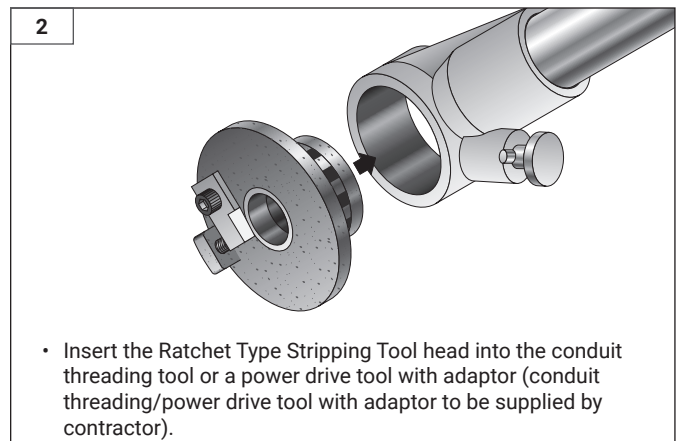
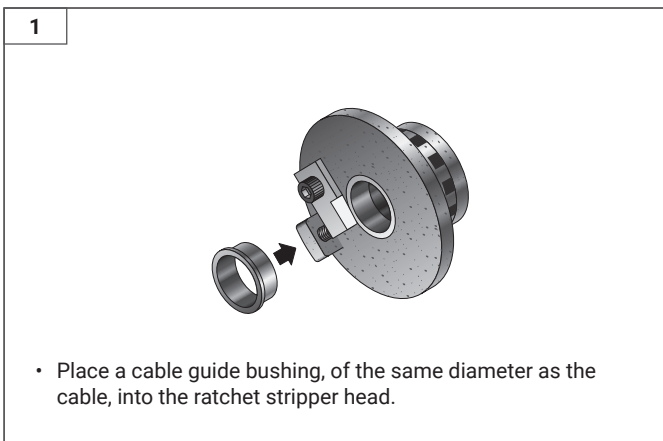
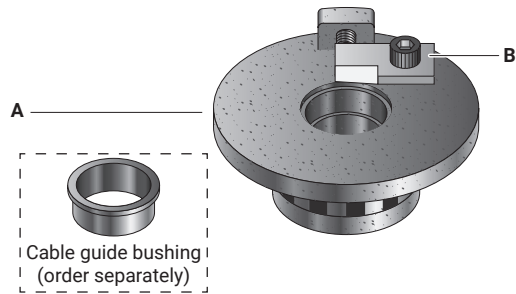
| Item | Qty | Description |
|------|-----|-----------------------------|
| A | 1 | Ratchet Type Stripping Tool |
| B | 1 | Blade |

DESCRIPTION

The nVent PYROTENAX Ratchet Type Stripping Tool strips nVent PYROTENAX copper sheath MI cables with diameters of 0.684 inches and greater with minimum effort. The Ratchet Type Stripping Tool head must be inserted into a manual conduit threading tool (not supplied). A cable guide bushing is required for each cable diameter to be stripped.

TOOLS AND ACCESSORIES REQUIRED

- Manual ratchet type conduit threading tool (RIDGID® Model 00-R or equal) or power drive tool with adapter (RIDGID® Model 770 or equal with 00-R adapter)
- Cable guide bushing (available from nVent); see the Tools Data Sheet (H57603) for ordering information
- nVent PYROTENAX Handvise (available from nVent)
- Safety glasses and protective gloves



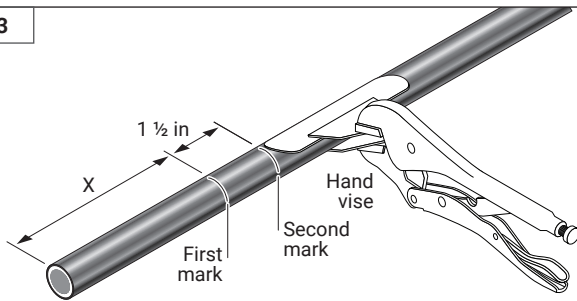
WARNING:

- Wear safety glasses and protective gloves to avoid injury.

IMPORTANT:

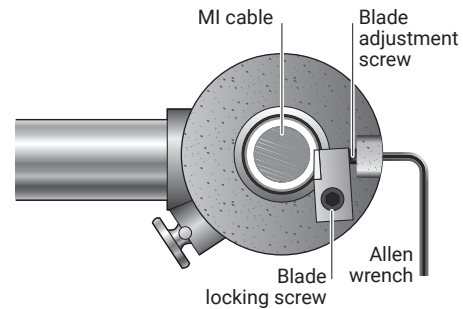
- To prevent moisture from entering the cable and to maintain the high performance of MI cable, the cable ends must be sealed as soon as the cable has been cut to length and the sheath removed as the magnesium oxide insulation will absorb moisture, lowering the insulation resistance.
- Do not use the Ratchet Type Stripping Tool head to straighten the cable.

3



- Prior to stripping, the cable should be reasonably straight and end should be cut square.
- Measure the length of sheath to be stripped (refer to installation instruction supplied with the termination kit) and mark sheath. Place a second mark 1-1/2 in from this first mark.
- Grip the cable firmly with the handvise at the second mark so as to make the final cut against a stop which is square to the cable.

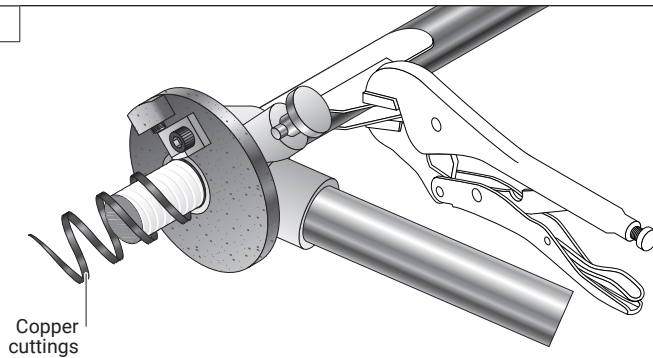
4



- Slip the stripper head over the cable. Loosen the blade locking screw and adjust the blade position with the blade adjustment screw until the cutting edge lies midway between inside of sheath and outside of nearest conductor. Tighten the blade locking screw. The blade must not touch the conductors.

Note: The cable must enter the stripper head through the cutting head shaft, butting against the blade from inside the stripper head.

5



- Gently apply pressure to the front of the stripper head while at the same time moving the handle down in order to start the threading tool.
- Use a ratchet motion of the handle to strip the cable sheath. When the stripping tool touches the edge of the handvise, it will stop and make a clean cut on the cable sheath. The copper cuttings can now be removed and the stripping tool withdrawn.
- Cable is now ready for sealing.

WARNING: Wear gloves when removing copper cuttings to avoid cuts.

North America

Tel +1.800.545.6258
Fax +1.800.527.5703
thermal.info@nvent.com

Europe, Middle East, Africa

Tel +32.16.213.511
Fax +32.16.213.604
thermal.info@nvent.com

Asia Pacific

Tel +86.21.2412.1688
Fax +86.21.5426.3167
cn.thermal.info@nvent.com

Latin America

Tel +1.713.868.4800
Fax +1.713.868.2333
thermal.info@nvent.com



nVent.com