



CONNECT AND PROTECT

nVent CADDY Speed Link SLS System

Featuring Wedge Anchor


nvent



CADDY

Speed Link SLS with Wedge Anchor

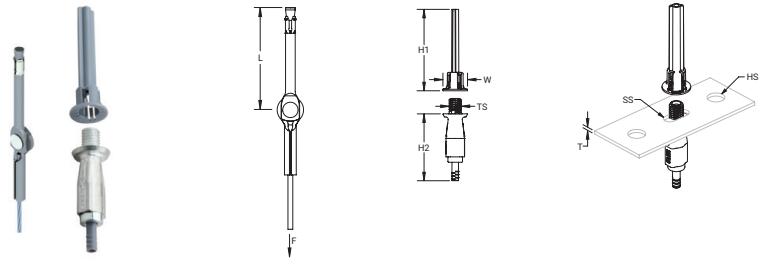
- Complete system includes wire, locking device and wedge anchor from Powers Fasteners, Inc.
- Quickly and easily attaches into cracked and non-cracked concrete
- No special tools required
- ETA-13/0106 approval available for wedge anchor from Powers Fasteners, Inc.

Material:
Steel; Polypropylene; Zinc Alloy

Finish:
Electrogalvanized

Static Load Safety Factor:
5:1

Wire Rope Diameter:
2 mm



Part Number	Wire Rope Length	Length (L)	Drill Bit Diameter Ø	Drill Hole Depth	Static Load F
SLS2L3WA6	9.9'	2.50"	1/4"	2.4"	60 lb
SLS2L5WA6	16.4'	2.50"	1/4"	2.4"	60 lb
SLS2L7WA6	22.9'	2.50"	1/4"	2.4"	60 lb

Thread Size TS	Height 1 H1	Height 2 H2	Width W	Thickness T	Hole Size HS	Slot Size SS
M8	2.1"	1.7"	0.63"	0.15" Max	0.31" - 0.38"	0.31" x 0.25" - 0.31" x 0.38"

The 2 mm locking device is compatible with C-Channel Types E0 and E0L.

Total load per wire on a multi-tier trapeze must not exceed static load.

For minimum fastener embedment depths in concrete, please consult www.powers.com.

Uses Powers Fasteners, Inc. part number 7409SD1.

Speed Link SLK with Wedge Anchor

- Complete system includes wire, locking device and wedge anchor from Powers Fasteners, Inc.
- Quickly and easily attaches into cracked and non-cracked concrete
- No special tools required

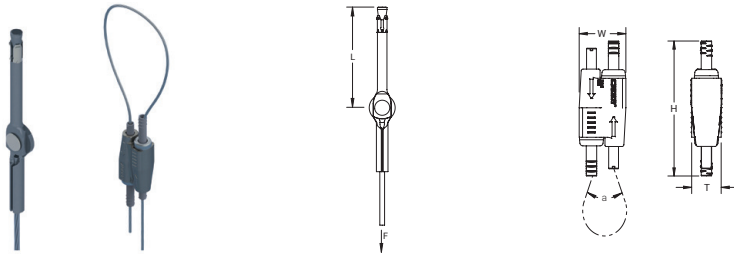
Material:
Steel; Polypropylene; Zinc Alloy

Finish:
Electrogalvanized

Static Load Safety Factor:
5:1

Drill Bit Diameter:
1/4"

Drill Bit Depth:
2.4"



ALSO AVAILABLE

Part Number	Wire Rope Length	Length L	Height H	Width W	Thickness T	Angle a	Static Load F
Wire Rope Diameter: 2 mm							
SLK2L2WA6	6.6'	2.50"	2.15"	0.75"	0.5"	90° Max	100 lb
SLK2L3WA6	9.9'	2.50"	2.15"	0.75"	0.5"	90° Max	100 lb
SLK2L5WA6	16.4'	2.50"	2.15"	0.75"	0.5"	90° Max	100 lb
SLK2L7WA6	22.9'	2.50"	2.15"	0.75"	0.5"	90° Max	100 lb
Wire Rope Diameter: 3 mm							
SLK3L1WA6	3.3'	2.50"	2.50"	0.90"	0.6"	90° Max	200 lb
SLK3L2WA6	6.6'	2.50"	2.50"	0.90"	0.6"	90° Max	200 lb
SLK3L3WA6	9.9'	2.50"	2.50"	0.90"	0.6"	90° Max	200 lb
SLK3L5WA6	16.4'	2.50"	2.50"	0.90"	0.6"	90° Max	200 lb
SLK3L7WA6	22.9'	2.50"	2.50"	0.90"	0.6"	90° Max	200 lb
SLK3L10WA6	32.8'	2.50"	2.50"	0.90"	0.6"	90° Max	200 lb

Uses Powers Fasteners, Inc. part number 7409SD1.

For minimum fastener embedment depths in concrete, please consult www.powers.com.

Speed Link SLS with Decking Hook

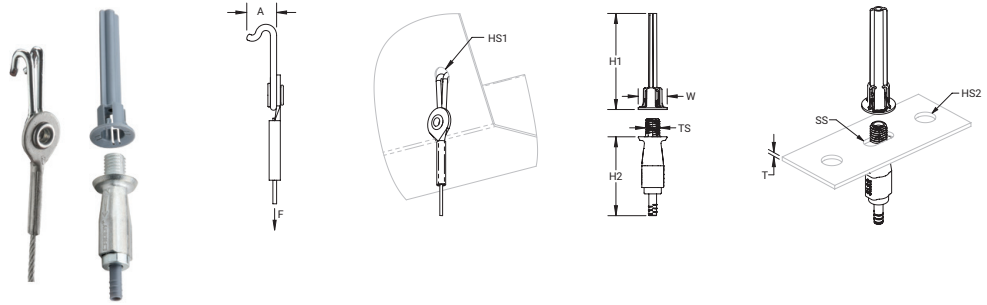
- Complete system includes wire, locking device and pre-assembled decking hook end fitting
- Quickly and easily attaches to hollow metal decking
- Spring-loaded ends snap into decking hole and lock into place
- Innovative design helps protect the wire from sharp edges of decking hole, minimizing risk of damage to wire

Material:
Steel; Polypropylene; Zinc Alloy

Finish:
Electrogalvanized

Static Load Safety Factor:
5:1

Wire Rope Diameter:
2 mm



Part Number	Wire Rope Length	Roof Decking Sheet Thickness	A	Hole Size 1 HS1	Static Load F
SLS2L3DH	9.9'	16 GA Max	0.36"	0.315"	60 lb
SLS2L5DH	16.4'	16 GA Max	0.36"	0.315"	60 lb
SLS2L7DH	22.9'	16 GA Max	0.36"	0.315"	60 lb

Thread Size TS	Height 1 H1	Height 2 H2	Width W	Thickness T	Hole Size 2 HS2	Slot Size SS
M8	2.1"	1.8"	0.6"	0.15" Max	0.31" - 0.38"	0.31" x 0.25" - 0.31" x 0.38"

The 2 mm locking device is compatible with C-Channel Types E0 and E0L.

Total load per wire on a multi-tier trapeze must not exceed static load.

Load rating is only applicable if the load-bearing capacity of the supporting element (steel decking) is adequate.

Check with deck manufacturer for recommended load capacity.

Speed Link SLS with Threaded Stud End

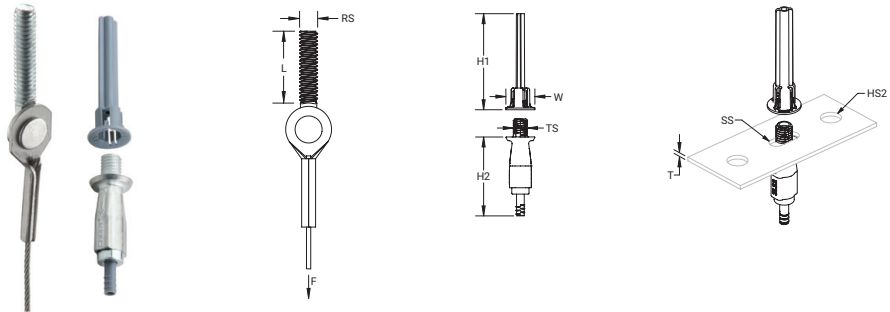
- Complete system includes wire, locking device and pre-assembled threaded stud end fitting
- Attaches to structures with threaded anchors or devices with threaded hole

Material:
Steel; Polypropylene; Zinc Alloy

Finish:
Electrogalvanized

Static Load Safety Factor:
5:1

Wire Rope Diameter:
2 mm



Part Number	Wire Rope Length	Rod Size RS	Screw Length L	Static Load F
SLS2L2SE250	6.6'	1/4"	1"	60 lb
SLS2L3SE250	9.9'	1/4"	1"	60 lb
SLS2L5SE250	16.4'	1/4"	1"	60 lb

Thread Size TS	Height 1 H1	Height 2 H2	Width W	Thickness T	Hole Size 2 HS2	Slot Size SS
M8	2.1"	1.7"	0.63"	0.15" Max	0.31" - 0.38"	0.31" x 0.25" - 0.31" x 0.38"

The 2 mm locking device is compatible with C-Channel Types E0 and E0L.

Total load per wire on a multi-tier trapeze must not exceed static load.

Speed Link SLS with Hook

- Complete system includes wire, locking device and pre-assembled hook end fitting
- Hooks to a wide range of nVent CADDY fasteners
- Fastens to the building structure or hanging services by looping around and hooking to wire rope
- Easy to remove for applications requiring maintenance
- Spring latch helps provide secure connection
- Insert cable through hole and use bottom side of hook as an end stop

Material:
Steel; Polypropylene; Zinc Alloy

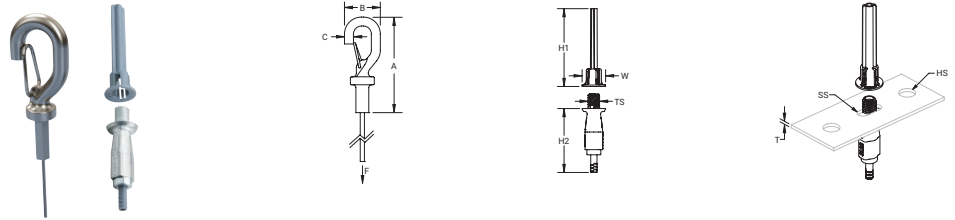
Finish:
Electrogalvanized

Static Load Safety Factor:
5:1

The 2 mm locking device is compatible with C-Channel Types E0 and E0L.

The 3 mm locking device is compatible with C-Channel Types E1, E2, E2L, E3, E4, E5, Strut Channel Type C, Slotted, Strut Channel Type A, Slotted, Strut Channel Type AS, Perforated, Strut Channel Type CC, Slotted, Strut Channel Type AA, Slotted.

Total load per wire on a multi-tier trapeze must not exceed static load.



Wire Rope Diameter: 2 mm

Part Number	SLS2L1	SLS2L2	SLS2L3	SLS2L5	SLS2L7	SLS2L10
Wire Rope Length	3.3'	6.6'	9.9'	16.4'	22.9'	32.8'
A	2.24"					
B	0.79"					
C	0.22"					
Height 1 (H1)	2.1"					
Height 2 (H2)	1.7"					
Thread Size (TS)	M8					
Width (W)	0.63"					
Hole Size (HS)	0.31" – 0.38"					
Slot Size (SS)	0.31" x 0.25" - 0.31" x 0.38"					
Thickness (T)	0.15" Max					
Static Load (F)	60 lb					
Standard Packaging Quantity	10 pc					

Wire Rope Diameter: 3 mm

Part Number	SLS3L1	SLS3L2	SLS3L3	SLS3L5	SLS3L7	SLS3L10
Wire Rope Length	3.3'	6.6'	9.9'	16.4'	22.9'	32.8'
A	2.27"					
B	0.91"					
C	0.24"					
Height 1 (H1)	2.1"					
Height 2 (H2)	1.8"					
Thread Size (TS)	M12					
Width (W)	0.80"					
Hole Size (HS)	0.50" – 0.56"					
Slot Size (SS)	0.47" x 0.39" - 0.47" x 0.56"					
Thickness (T)	0.25" Max					
Static Load (F)	150 lb					
Standard Packaging Quantity	10 x 10 pc		10 x 5 pc		5 x 5 pc	

Our powerful portfolio of brands:

CADDY ERICO HOFFMAN RAYCHEM SCHROFF TRACER



nVent.com/CADDY

WARNING nVent products shall be installed and used only as indicated in nVent's product instruction sheets and training materials. Instruction sheets are available at nVent.com/CADDY and from your nVent customer service representative. Improper installation, misuse, misapplication or other failure to completely follow nVent's instructions and warnings may cause product malfunction, property damage, serious bodily injury and/or death, and void your warranty.

©2018 nVent. All nVent marks and logos are owned or licensed by nVent Services GmbH or its affiliates. All other trademarks are the property of their respective owners. nVent reserves the right to change specifications without notice.

CADDY-SB-FM1273B-FM55LT17NAEN-EN-1805