

# Industrial Stack Parallel Cable Connector



## CERTIFICATIONS



## FEATURES

Cast paralled clamp for connecting down conductors

## SPECIFICATIONS

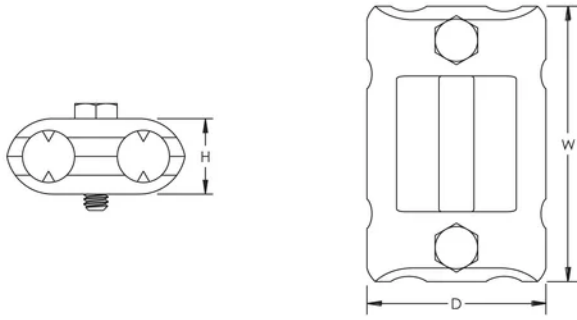
**Material:** Brass  
**Conductor Size, UL:** Class 1 - Class 2 (4/0 Max)

Table 1/1

Catalog Number	Finish	Depth (D)	Height (H)	Width (W)	Unit Weight	Certifications
LPC441	Bare	46.74mm	19.81 mm	72.14 mm	0.27 kg	E202878-Combined_CoC, E202878-Combined_CoC
LPLC441	Lead Covered	46.74mm	19.81 mm	72.14 mm	0.57 kg	

## DIAGRAMS

---



## WARNING

---

nVent products shall be installed and used only as indicated in nVent's product instruction sheets and training materials. Instruction sheets are available at [www.nvent.com](http://www.nvent.com) and from your nVent customer service representative. Improper installation, misuse, misapplication or other failure to completely follow nVent's instructions and warnings may cause product malfunction, property damage, serious bodily injury and death and/or void your warranty.

⚠ **WARNING:** This product can expose you to chemicals including lead, which is known to the State of California to cause cancer and birth defects or other reproductive harm. For more information go to [www.P65Warnings.ca.gov](http://www.P65Warnings.ca.gov).

### North America

+1.800.753.9221  
Option 1 – Customer Care  
Option 2 – Technical  
Support

### Europe

Netherlands:  
+31 800-0200135  
France:  
+33 800 901 793

### Europe

Germany:  
800 1890272  
Other Countries:  
+31 13 5835404

### APAC

Shanghai:  
+ 86 21 2412 1618/19  
Sydney:  
+61 2 9751 8500



Our powerful portfolio of brands:

**CADDY ERICO HOFFMAN ILSCO SCHROFF TRACHTE**