

# Front Panel, U-profile, Retrofit Shielding



U-profile front panel for textile EMC gasket.

## CERTIFICATIONS



## FEATURES

U-profile, front panel, Al, 2.5 mm, front anodized, rear conductive

For EMC textile gasket

## SPECIFICATIONS

|                        |                            |
|------------------------|----------------------------|
| <b>Depth (D):</b>      | 2.5mm                      |
| <b>Material:</b>       | Aluminum                   |
| <b>Finish:</b>         | Anodized; Passivated       |
| <b>Accessory Type:</b> | Front panel                |
| <b>Product Type:</b>   | Front Panel                |
| <b>Type:</b>           | Front Panel without Handle |
| <b>EMC Shielding:</b>  | No (Retrofittable)         |

Table 1/3

| Catalog Number | Rack Height | Rack Width | Package Quantity | Mounting | Gasket Type | Front Finish |
|----------------|-------------|------------|------------------|----------|-------------|--------------|
|----------------|-------------|------------|------------------|----------|-------------|--------------|

|           |    |      |   |                |             |          |
|-----------|----|------|---|----------------|-------------|----------|
| 20848-160 | 6U | 63HP | 1 | Screw-on Front | Textile EMC | Anodized |
| 30848-386 | 3U | 10HP | 1 | Screw-on Front | Textile EMC | Anodized |
| 20848-269 | 4U | 42HP | 1 | Screw-on Front | Textile EMC | Anodized |
| 30848-358 | 3U | 12HP | 1 | Screw-on Front | Textile EMC | Anodized |
| 30848-383 | 6U | 7HP  | 1 | Screw-on Front | Textile EMC | Anodized |
| 20848-113 | 6U | 21HP | 1 | Screw-on Front | Textile EMC | Anodized |
| 20848-047 | 3U | 42HP | 1 | Screw-on Front | Textile EMC | Anodized |
| 20848-120 | 6U | 28HP | 1 | Screw-on Front | Textile EMC | Anodized |
| 20848-068 | 3U | 63HP | 1 | Screw-on Front | Textile EMC | Anodized |
| 30848-382 | 3U | 7HP  | 1 | Screw-on Front | Textile EMC | Anodized |
| 20848-139 | 6U | 42HP | 1 | Screw-on Front | Textile EMC | Anodized |
| 20848-650 | 5U | 84HP | 1 | Screw-on Front | Textile EMC | Anodized |
| 30848-381 | 6U | 6HP  | 1 | Screw-on Front | Textile EMC | Anodized |
| 20848-108 | 6U | 16HP | 1 | Screw-on Front | Textile EMC | Anodized |
| 20848-027 | 3U | 28HP | 1 | Screw-on Front | Textile EMC | Anodized |
| 20848-262 | 2U | 84HP | 1 | Screw-on Front | Textile EMC | Anodized |
| 30848-380 | 3U | 6HP  | 1 | Screw-on Front | Textile EMC | Anodized |
| 30848-359 | 6U | 12HP | 1 | Screw-on Front | Textile EMC | Anodized |
| 20848-097 | 3U | 84HP | 1 | Screw-on Front | Textile EMC | Anodized |
| 20848-268 | 4U | 28HP | 1 | Screw-on Front | Textile EMC | Anodized |

Table 2/3

| Catalog Number | Rack Height | Rack Width | Package Quantity | Mounting       | Gasket Type | Front Finish |
|----------------|-------------|------------|------------------|----------------|-------------|--------------|
| 30848-379      | 6U          | 5HP        | 1                | Screw-on Front | Textile EMC | Anodized     |
| 20848-649      | 5U          | 63HP       | 1                | Screw-on Front | Textile EMC | Anodized     |
| 20848-280      | 9U          | 84HP       | 1                | Screw-on Front | Textile EMC | Anodized     |
| 20848-648      | 5U          | 42HP       | 1                | Screw-on Front | Textile EMC | Anodized     |
| 30848-378      | 3U          | 5HP        | 1                | Screw-on Front | Textile EMC | Anodized     |
| 30849-004      | 3U          | 3HP        | 1                | Screw-on Front | Textile EMC | Anodized     |
| 20848-013      | 3U          | 14HP       | 1                | Screw-on Front | Textile EMC | Anodized     |
| 30849-002      | 6U          | 2HP        | 1                | Screw-on Front | Textile EMC | Anodized     |
| 30848-356      | 3U          | 8HP        | 1                | Screw-on Front | Textile EMC | Anodized     |
| 20848-189      | 6U          | 84HP       | 1                | Screw-on Front | Textile EMC | Anodized     |
| 20848-015      | 3U          | 16HP       | 1                | Screw-on Front | Textile EMC | Anodized     |
| 30848-357      | 6U          | 8HP        | 1                | Screw-on Front | Textile EMC | Anodized     |

| Catalog Number | Rack Height | Rack Width | Package Quantity | Mounting       | Gasket Type | Front Finish |
|----------------|-------------|------------|------------------|----------------|-------------|--------------|
| 30849-001      | 3U          | 2HP        | 1                | Screw-on Front | Textile EMC | Anodized     |
| 20848-270      | 4U          | 42HP       | 1                | Screw-on Front | Textile EMC | Anodized     |
| 30848-355      | 6U          | 4HP        | 1                | Screw-on Front | Textile EMC | Anodized     |
| 20848-020      | 3U          | 21HP       | 1                | Screw-on Front | Textile EMC | Anodized     |
| 30848-387      | 6U          | 10HP       | 1                | Screw-on Front | Textile EMC | Anodized     |
| 20848-271      | 4U          | 84HP       | 1                | Screw-on Front | Textile EMC | Anodized     |
| 20848-260      | 2U          | 42HP       | 1                | Screw-on Front | Textile EMC | Anodized     |
| 20848-261      | 2U          | 63HP       | 1                | Screw-on Front | Textile EMC | Anodized     |

Table 3/3

| Catalog Number | Rack Height | Rack Width | Package Quantity | Mounting       | Gasket Type | Front Finish |
|----------------|-------------|------------|------------------|----------------|-------------|--------------|
| 30848-354      | 3U          | 4HP        | 1                | Screw-on Front | Textile EMC | Anodized     |
| 20848-106      | 6U          | 14HP       | 1                | Screw-on Front | Textile EMC | Anodized     |

Table 1/3

| Catalog Number | Rear Finish | Treated Edges | Complies With                   | Height (H) | Width (W) | Certifications |
|----------------|-------------|---------------|---------------------------------|------------|-----------|----------------|
| 20848-160      | Conductive  | No            | IEC 60297-3-101, IEEE 1101.1/10 | 261.8mm    | 319.7mm   | RoHS           |
| 30848-386      | Conductive  | No            | IEC 60297-3-101, IEEE 1101.1/10 | 128.4mm    | 50.5mm    | RoHS           |
| 20848-269      | Conductive  | No            | IEC 60297-3-101, IEEE 1101.1/10 | 172.9mm    | 213mm     | RoHS           |
| 30848-358      | Conductive  | No            | IEC 60297-3-101, IEEE 1101.1/10 | 128.4mm    | 60.6mm    | RoHS           |
| 30848-383      | Conductive  | No            | IEC 60297-3-101, IEEE 1101.1/10 | 261.8mm    | 35.2mm    | RoHS           |
| 20848-113      | Conductive  | No            | IEC 60297-3-101, IEEE 1101.1/10 | 261.8mm    | 106.3mm   | RoHS           |
| 20848-047      | Conductive  | No            | IEC 60297-3-101, IEEE 1101.1/10 | 128.4mm    | 213mm     | RoHS           |

| Catalog Number | Rear Finish | Treated Edges | Complies With                   | Height (H) | Width (W) | Certifications |
|----------------|-------------|---------------|---------------------------------|------------|-----------|----------------|
| 20848-120      | Conductive  | No            | IEC 60297-3-101, IEEE 1101.1/10 | 261.8mm    | 141.9mm   | RoHS           |
| 20848-068      | Conductive  | No            | IEC 60297-3-101, IEEE 1101.1/10 | 128.4mm    | 319.7mm   | RoHS           |
| 30848-382      | Conductive  | No            | IEC 60297-3-101, IEEE 1101.1/10 | 128.4mm    | 35.2mm    | RoHS           |
| 20848-139      | Conductive  | No            | IEC 60297-3-101, IEEE 1101.1/10 | 261.8mm    | 213mm     | RoHS           |
| 20848-650      | Conductive  | No            | IEC 60297-3-101, IEEE 1101.1/10 | 217.4mm    | 426.4mm   |                |
| 30848-381      | Conductive  | No            | IEC 60297-3-101, IEEE 1101.1/10 | 261.8mm    | 30.1mm    | RoHS           |
| 20848-108      | Conductive  | No            | IEC 60297-3-101, IEEE 1101.1/10 | 261.8mm    | 80.9mm    | RoHS           |
| 20848-027      | Conductive  | No            | IEC 60297-3-101, IEEE 1101.1/10 | 128.4mm    | 141.9mm   | RoHS           |
| 20848-262      | Conductive  | No            | IEC 60297-3-101, IEEE 1101.1/10 | 84mm       | 426.4mm   | RoHS           |
| 30848-380      | Conductive  | No            | IEC 60297-3-101, IEEE 1101.1/10 | 128.4mm    | 30.1mm    | RoHS           |
| 30848-359      | Conductive  | No            | IEC 60297-3-101, IEEE 1101.1/10 | 261.8mm    | 60.6mm    | RoHS           |
| 20848-097      | Conductive  | No            | IEC 60297-3-101, IEEE 1101.1/10 | 128.4mm    | 426.4mm   | RoHS           |
| 20848-268      | Conductive  | No            | IEC 60297-3-101, IEEE 1101.1/10 | 172.9mm    | 141.9mm   | RoHS           |

Table 2/3

| Catalog Number | Rear Finish | Treated Edges | Complies With | Height (H) | Width (W) | Certifications |
|----------------|-------------|---------------|---------------|------------|-----------|----------------|
|----------------|-------------|---------------|---------------|------------|-----------|----------------|

|           |            |    |                                 |         |         |      |
|-----------|------------|----|---------------------------------|---------|---------|------|
| 30848-379 | Conductive | No | IEC 60297-3-101, IEEE 1101.1/10 | 261.8mm | 25mm    | RoHS |
| 20848-649 | Conductive | No | IEC 60297-3-101, IEEE 1101.1/10 | 217.4mm | 319.7mm |      |
| 20848-280 | Conductive | No | IEC 60297-3-101, IEEE 1101.1/10 | 395.1mm | 426.4mm | RoHS |
| 20848-648 | Conductive | No | IEC 60297-3-101, IEEE 1101.1/10 | 217.4mm | 213mm   |      |
| 30848-378 | Conductive | No | IEC 60297-3-101, IEEE 1101.1/10 | 128.4mm | 25mm    | RoHS |
| 30849-004 | Conductive | No | IEC 60297-3-101, IEEE 1101.1/10 | 128.4mm | 14.9mm  | RoHS |
| 20848-013 | Conductive | No | IEC 60297-3-101, IEEE 1101.1/10 | 128.4mm | 70.8mm  | RoHS |
| 30849-002 | Conductive | No | IEC 60297-3-101, IEEE 1101.1/10 | 261.8mm | 9.8mm   | RoHS |
| 30848-356 | Conductive | No | IEC 60297-3-101, IEEE 1101.1/10 | 128.4mm | 40.3mm  | RoHS |
| 20848-189 | Conductive | No | IEC 60297-3-101, IEEE 1101.1/10 | 261.8mm | 426.4mm | RoHS |
| 20848-015 | Conductive | No | IEC 60297-3-101, IEEE 1101.1/10 | 128.4mm | 80.9mm  | RoHS |
| 30848-357 | Conductive | No | IEC 60297-3-101, IEEE 1101.1/10 | 261.8mm | 40.3mm  | RoHS |
| 30849-001 | Conductive | No | IEC 60297-3-101, IEEE 1101.1/10 | 128.4mm | 9.8mm   | RoHS |
| 20848-270 | Conductive | No | IEC 60297-3-101, IEEE 1101.1/10 | 172.9mm | 213mm   | RoHS |
| 30848-355 | Conductive | No | IEC 60297-3-101, IEEE 1101.1/10 | 261.8mm | 20mm    | RoHS |

|           |            |    |                                 |         |         |      |
|-----------|------------|----|---------------------------------|---------|---------|------|
| 20848-020 | Conductive | No | IEC 60297-3-101, IEEE 1101.1/10 | 128.4mm | 106.3mm | RoHS |
| 30848-387 | Conductive | No | IEC 60297-3-101, IEEE 1101.1/10 | 261.8mm | 50.5mm  | RoHS |
| 20848-271 | Conductive | No | IEC 60297-3-101, IEEE 1101.1/10 | 172.9mm | 426.4mm | RoHS |
| 20848-260 | Conductive | No | IEC 60297-3-101, IEEE 1101.1/10 | 84mm    | 213mm   |      |
| 20848-261 | Conductive | No | IEC 60297-3-101, IEEE 1101.1/10 | 84mm    | 319.7mm |      |

Table 3/3

| Catalog Number | Rear Finish | Treated Edges | Complies With                   | Height (H) | Width (W) | Certifications |
|----------------|-------------|---------------|---------------------------------|------------|-----------|----------------|
| 30848-354      | Conductive  | No            | IEC 60297-3-101, IEEE 1101.1/10 | 128.4mm    | 20mm      | RoHS           |
| 20848-106      | Conductive  | No            | IEC 60297-3-101, IEEE 1101.1/10 | 261.8mm    | 70.8mm    | RoHS           |

## ADDITIONAL PRODUCT DETAILS

Please order fixing material (sleeves, collar screws) separately.

14 ... 84 HP: multi-part U-profile (front panel with crimped profiles).

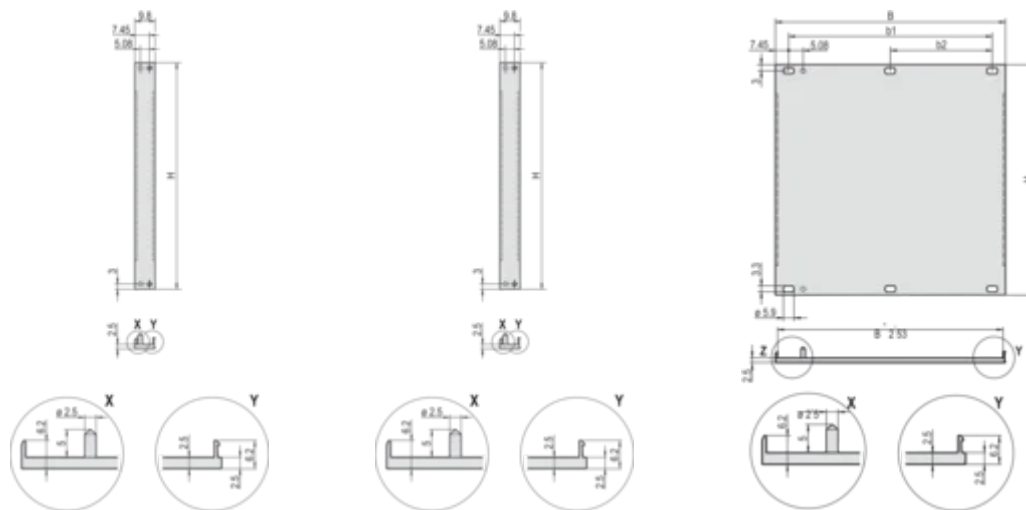
Differences in finish between 2 ... 12 HP and 14 ... 84 HP.

2 ... 12 HP: one-part U-profile

Please order textile EMC gasket separately.

Standard pack quantity: 2 to 28HP: 5 pieces, 42 to 84 HP: 1 piece, supplied in standard pack quantities (SPQ) only.

## DIAGRAMS



## WARNING

nVent products shall be installed and used only as indicated in nVent's product instruction sheets and training materials. Instruction sheets are available at [www.nvent.com](http://www.nvent.com) and from your nVent customer service representative. Improper installation, misuse, misapplication or other failure to completely follow nVent's instructions and warnings may cause product malfunction, property damage, serious bodily injury and death and/or void your warranty.

### North America

All locations  
+1.763.422.2661  
Chat with us:  
[nvent.com/schroff](http://nvent.com/schroff)

### Europe

Straubenhardt, Germany  
+49.7082.794.0  
Betschdorf, France  
+33.3.88.90.64.90  
Warsaw, Poland  
+48.22.209.98.35  
Assago, Italy  
+39.02.932.7141  
Chat with us:  
[nvent.com/schroff](http://nvent.com/schroff)

### Asia

Shanghai, China  
+86.21.2412.6943  
Qingdao, China  
+86.532.8771.6101  
Singapore  
+65.6768.5800  
Shin-Yokohama, Japan  
+81.45.476.0271  
Chat with us:  
[nvent.com/schroff](http://nvent.com/schroff)

### Middle East & India

Dubai, United Arab Emirates  
+971.4.378.1700  
Bangalore, India  
+91.80.6715.2001  
Istanbul, Turkey  
+90.216.250.7374  
Chat with us:  
[nvent.com/schroff](http://nvent.com/schroff)



Our powerful portfolio of brands:

**CADDY ERICO HOFFMAN ILSCO SCHROFF TRACHTE**