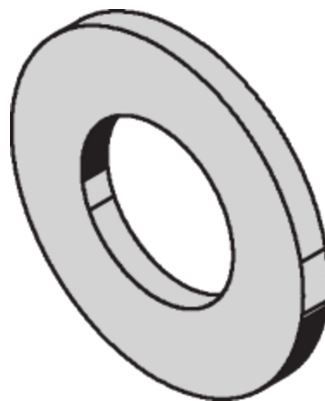
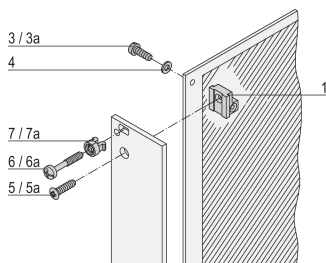
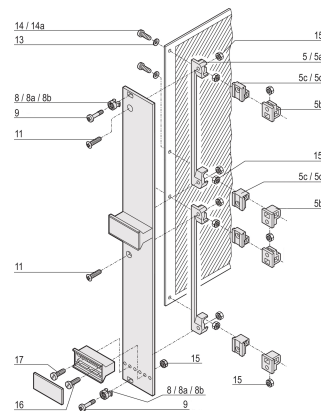
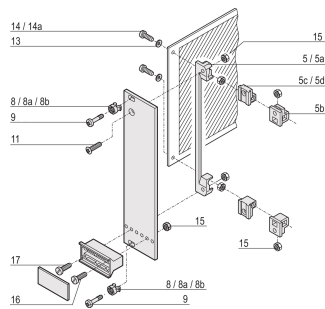


Washer, 2.7 DIN 125, Steel Nickel Plated, 100 Pieces

CATALOG NUMBER

21100-721



Washer used for PCB fixing.

CERTIFICATIONS



FEATURES

Washer

PRODUCT ATTRIBUTES

Material: Steel

Finish: Nickel Plated

Package Quantity: 100

Accessory Type: Mounting hardware

Product Type: Washer

Type: Washer

Works With: Front Panels; Frame Type Plug-In Unit

Gross Weight: 0.009kg

ADDITIONAL PRODUCT DETAILS

Quantity required for IEEE-Plug-in units (3U/6U)

Quantity required for plug-in units type 2 with extraction handle (3U/6U)

WARNING

nVent products shall be installed and used only as indicated in nVent's product instruction sheets and training materials. Instruction sheets are available at www.nvent.com and from your nVent customer service representative. Improper installation, misuse, misapplication or other failure to completely follow nVent's instructions and warnings may cause product malfunction, property damage, serious bodily injury and death and/or void your warranty.

North America

All locations

+1.763.422.2661

Chat with us:

nvent.com/schroff

Europe

Straubenhardt, Germany

+49.7082.794.0

Betschdorf, France

+33.3.88.90.64.90

Warsaw, Poland

+48.22.209.98.35

Assago, Italy

+39.02.932.7141

Chat with us:

nvent.com/schroff

Asia

Shanghai, China

+86.21.2412.6943

Qingdao, China

+86.532.8771.6101

Singapore

+65.6768.5800

Shin-Yokohama, Japan

+81.45.476.0271

Chat with us:

nvent.com/schroff

Middle East & India

Dubai, United Arab

Emirates

+971.4.378.1700

Bangalore, India

+91.80.6715.2001

Istanbul, Turkey

+90.216.250.7374

Chat with us:

nvent.com/schroff



Our powerful portfolio of brands:

CADDY

ERICO

HOFFMAN

ILSCO

SCHROFF

TRACHTE