

Low Voltage Male/Female Insulators, 2.362"

Data Solutions

CATALOG NUMBER

ISOTP60F8M8



CERTIFICATIONS



FEATURES

Halogen free

High resistance to leakage current

Great stability of electrical and mechanical parameters

Fiberglass reinforced

UL® Recognized in E125470 and evaluated for dielectric withstand rating of 1,500 VAC/DC

RoHS compliant

PRODUCT ATTRIBUTES

Article Number: 542080

Material: Steel; Glass Fibre Reinforced Polyamide

Finish: Electro galvanized

Working Temperature: -40 to 266°F

Insulation Voltage: 1000; 1500

Flammability Rating: UL® 94V-0

Complies With: IEC® 60695-2-11 (Glow Wire Test 960 °C)

Height (H): 2.36in

Hex Width (W): 55mm

Depth (D): 2.48in

Diameter (Ø): 1.73in

Thread Size 1 (TS1): M8

Thread Length (TL): 0.67in

Thread Size 2 (TS2): M8

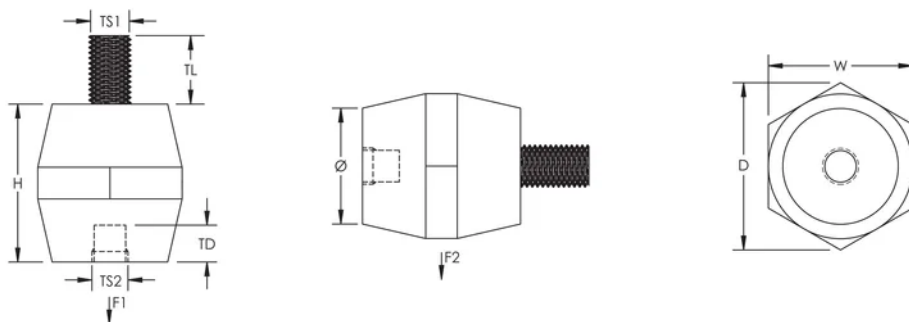
Thread Depth (TD): 0.59in

Static Load 1 (F1): 4946lb

Static Load 2 (F2): 2248lb

Unit Weight: 0.42lb

DIAGRAMS



WARNING

nVent products shall be installed and used only as indicated in nVent's product instruction sheets and training materials. Instruction sheets are available at www.nvent.com and from your nVent customer service representative. Improper installation, misuse, misapplication or other failure to completely follow nVent's instructions and warnings may cause product malfunction, property damage, serious bodily injury and death and/or void your warranty.



Our powerful portfolio of brands:

CADDY ERICO HOFFMAN ILSCO SCHROFF TRACHTE