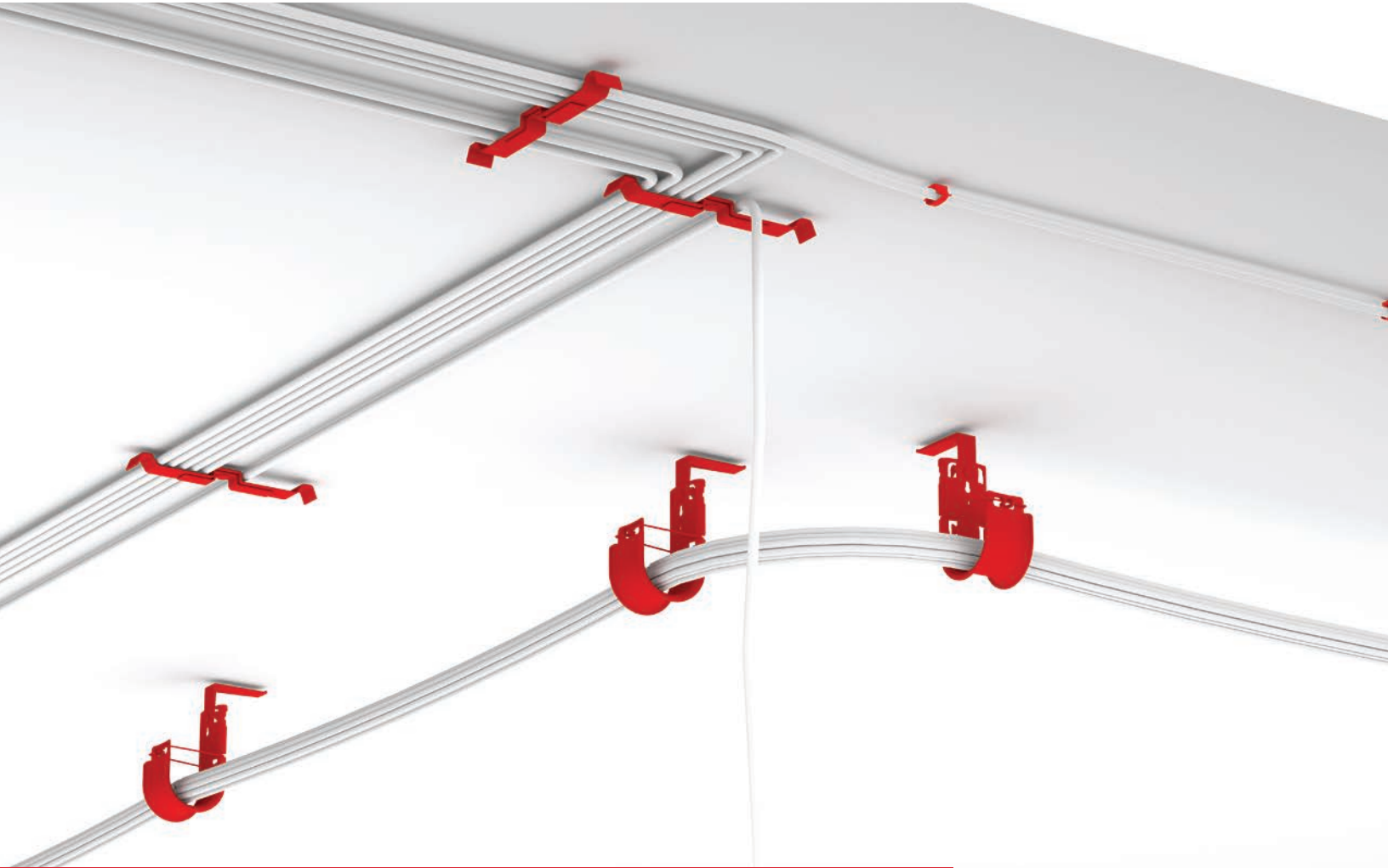


Improved nVent CADDY Cat HP J-Hook System



Improved nVent CADDY Cat HP J-Hook System



Why Choose

The Improved nVent CADDY Cat HP J-Hook System?

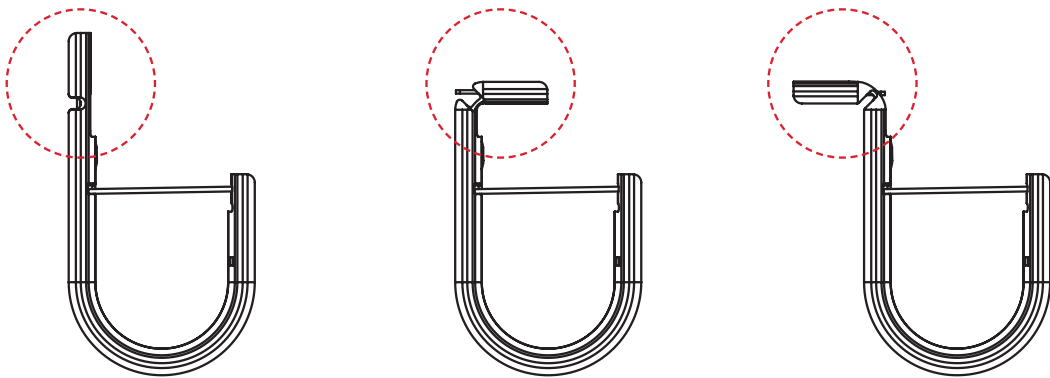
FEATURES AND BENEFITS

- A wide range of attachment methods available
- Advanced non-continuous pathway support solution for high-performance cables
- Can be installed on ceilings, floors, walls or other surfaces
- Industry leading bend radius

SIMPLER SOLUTION

- Provides optimal support and protection for high-performing low voltage cables
- Simple and effective design eliminates the need for special tools or connection fittings
- Optimize inventory and reduce SKU count

nVent CADDY Versa-Mount Technology



The Improved nVent CADDY Cat HP J-Hook System is the most advanced, non-continuous pathway support solution for today's high-performance cabling systems. Highly engineered features help ensure a safe, fast and easy installation that complies with industry codes and standards for high-performance cables.

The nVent CADDY J-Hook Versa-Mount Technology is an innovative attachment design that provides multiple structural and installation methods for wall, ceiling, and threaded rod mounting applications.



NVENT CADDY CABLE PATHWAY SOLUTIONS



Cable Support and Protection

Our J-Hooks meet the latest TIA-568 requirements and are designed for future proof installations for ultra-high speed and PoE.



Snap-to-Secure Tabs

With an easy and convenient method to install cables, the Improved nVent CADDY Cat HP J-Hook System builds contractor confidence in secure cables.



Robust Construction

Industry leading load capacity, designed for simple field configurations. UL Listed for enhanced safety and cable security.

Improved nVent CADDY Cat HP Mod Clip Components

Improved nVent CADDY Cat HP Mod Clip Assemblies are a fast, easy and tool-free way to attach and hang the nVent CADDY Cat HP J-Hooks. By removing the need for screws, rivets or special tools, both installation time and cost are reduced. Our innovative nVent CADDY J-Hook Versa-Mount Technology is designed to work seamlessly with the Cat HP Mod Clip which allows for multiple structural and installation methods for wall, ceiling and threaded rod mounting applications.



Hammer-On Flange



Purlin



Rod/Wire



Strut



Pedestal



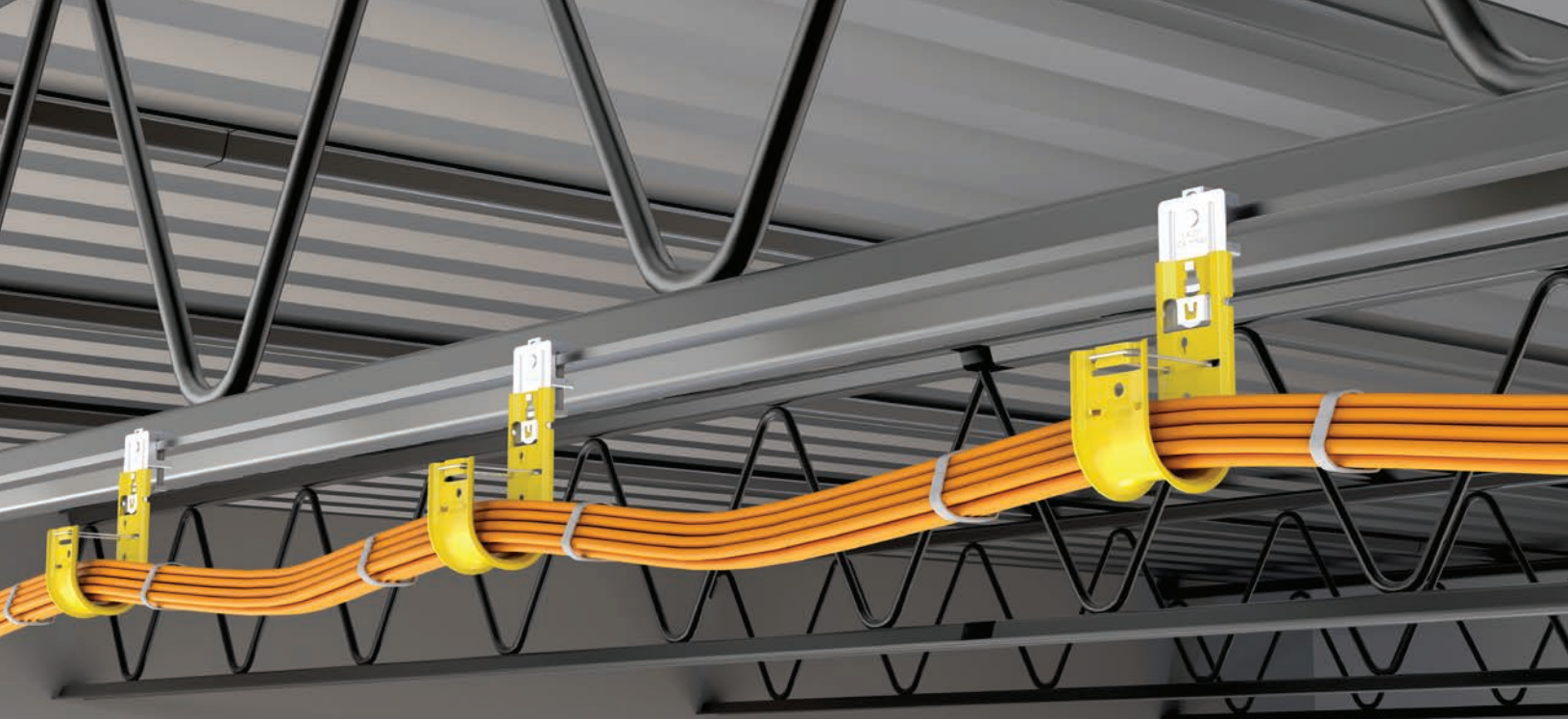
Brackets



Beam Clamp

nVent CADDY Versa-Mount Technology





nVent CADDY Trusted Experts for **Fastening and Cable Support Systems**

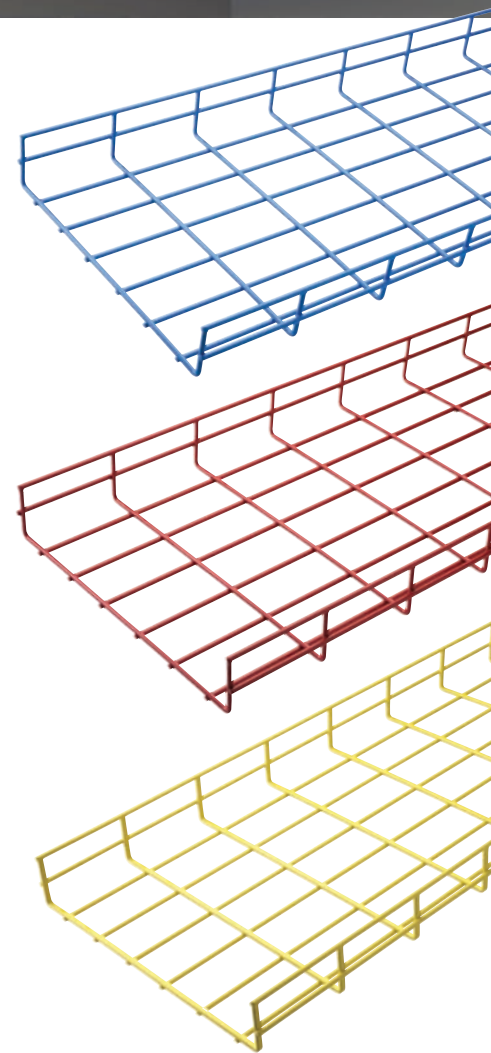
PROVIDES CONTINUITY FOR PATHWAY IDENTIFICATION

Improved nVent CADDY Cat HP J-Hooks are available pre-galvanized or painted to aid in the identification and organization of the pathway application



NVENT CADDY WBT PERFORMANCE CABLE TRAY

Combine the power of the Improved nVent CADDY Cat HP J-Hook System with the nVent CADDY Performance Cable Tray System, to create an end-to-end data center solution.



Improved nVent CADDY Cat HP J-Hook

The Improved nVent CADDY Cat HP J-Hook offers contractors three unique, UL-certified attachment methods out of the box—wall, ceiling, and threaded rod installations. This added functionality enables contractors to reduce SKU inventory while maintaining efficiency and continued progress on the jobsite with the most common structural attachment methods. The modernized design of the nVent CADDY Cat HP J-Hook is engineered to provide optimal support and protection for today’s rapidly evolving, high performing, low-voltage cables. Contractors can feel confident utilizing the Improved nVent CADDY Cat HP J-Hook due to its installation versatility, superior cable support and protection, and technical certifications.

IMPROVED NVENT CADDY CAT HP J-HOOK



- Versa-Mount Technology: Innovative attachment design provides multiple structural and installation methods for wall, ceiling, and threaded rod mounting applications
- Ideal for unknown jobsite applications or attachment methods
- Improved design allows for optimized inventory while reducing job site scheduling risks associated with multiple SKUs
- Provides optimal support for high-performance data cable—including category cable, Power over Ethernet (PoE), and fiber optic
- Industry-leading bend radius designed to protect high-performance data installations
- Multiple color options aid in the identification and organization of the pathway application
- Provides superior fill capacity and load rating
- Compliant with UL® 2043 and suitable for use in air handling (plenum) spaces
- Meets ISO®/IEC 14763-2, ANSI®/TIA 568 and ANSI®/TIA 569
- Complies with EN 50174-2

Material: Steel



Part Number	Finish	Color	Diameter Ø	Area	Cable Capacity, Cat 5e	Cable Capacity, Cat 6	Cable Capacity, Cat 6A	Height H	Height 1 H1	Height 2 H2	Static Load F
CAT16HP	Pregalvanized	–	1"	1.07 in ²	20	15	10	–	4.29"	3.55"	60 lb
CAT16HPBA	Pregalvanized, Painted, Painted	Black	1"	1.07 in ²	20	15	10	4.29"	–	–	60 lb
CAT16HPBU	Pregalvanized, Painted, Painted	Blue	1"	1.07 in ²	20	15	10	4.29"	–	–	60 lb
CAT16HPGR	Pregalvanized, Painted, Painted	Green	1"	1.07 in ²	20	15	10	4.29"	–	–	60 lb

Improved nVent CADDY Cat HP J-Hook

Part Number	Finish	Color	Diameter Ø	Area	Cable Capacity, Cat 5e	Cable Capacity, Cat 6	Cable Capacity, Cat 6A	Height H	Height 1 H1	Height 2 H2	Static Load F
CAT16HPRD	Pregalvanized, Painted, Painted	Red	1"	1.07 in ²	20	15	10	4.29"	–	–	60 lb
CAT16HPWH	Pregalvanized, Painted, Painted	White	1"	1.07 in ²	20	15	10	4.29"	–	–	60 lb
CAT16HPYL	Pregalvanized, Painted, Painted	Yellow	1"	1.07 in ²	20	15	10	4.29"	–	–	60 lb
CAT21HP	Pregalvanized	–	1-5/16"	2.29 in ²	50	40	25	–	4.81"	4.08"	60 lb
CAT21HPBA	Pregalvanized, Painted, Painted	Black	1-5/16"	2.29 in ²	50	40	25	4.81"	–	–	60 lb
CAT21HPBU	Pregalvanized, Painted, Painted	Blue	1-5/16"	2.29 in ²	50	40	25	4.81"	–	–	60 lb
CAT21HPGR	Pregalvanized, Painted, Painted	Green	1-5/16"	2.29 in ²	50	40	25	4.81"	–	–	60 lb
CAT21HPOR	Pregalvanized, Painted, Painted	Orange	1-5/16"	2.29 in ²	50	40	25	4.81"	–	–	60 lb
CAT21HPRD	Pregalvanized, Painted, Painted	Red	1-5/16"	2.29 in ²	50	40	25	4.81"	–	–	60 lb
CAT21HPWH	Pregalvanized, Painted, Painted	White	1-5/16"	2.29 in ²	50	40	25	4.81"	–	–	60 lb
CAT21HPYL	Pregalvanized, Painted, Painted	Yellow	1-5/16"	2.29 in ²	50	40	25	4.81"	–	–	60 lb
CAT32HP	Pregalvanized	–	2"	4.22 in ²	90	60	35	–	5.15"	4.42"	60 lb
CAT32HPBA	Pregalvanized, Painted	Black	2"	4.22 in ²	90	60	35	–	5.15"	4.42"	60 lb
CAT32HPBU	Pregalvanized, Painted	Blue	2"	4.22 in ²	90	60	35	–	5.15"	4.42"	60 lb
CAT32HPGR	Pregalvanized, Painted	Green	2"	4.22 in ²	90	60	35	–	5.15"	4.42"	60 lb
CAT32HPOR	Pregalvanized, Painted	Orange	2"	4.22 in ²	90	60	35	–	5.15"	4.42"	60 lb
CAT32HPRD	Pregalvanized, Painted	Red	2"	4.22 in ²	90	60	35	–	5.15"	4.42"	60 lb
CAT32HPWH	Pregalvanized, Painted	White	2"	4.22 in ²	90	60	35	–	5.15"	4.42"	60 lb
CAT32HPYL	Pregalvanized, Painted	Yellow	2"	4.22 in ²	90	60	35	–	5.15"	4.42"	60 lb
CAT48HP	Pregalvanized	–	3"	9.26 in ²	200	150	80	–	6.48"	5.86"	60 lb

Improved nVent CADDY Cat HP J-Hook

Part Number	Finish	Color	Diameter Ø	Area	Cable Capacity, Cat 5e	Cable Capacity, Cat 6	Cable Capacity, Cat 6A	Height H	Height 1 H1	Height 2 H2	Static Load F
CAT48HPBA	Pregalvanized, Painted, Painted	Black	3"	9.26 in ²	200	150	80	6.48"	–	–	60 lb
CAT48HPBU	Pregalvanized, Painted, Painted	Blue	3"	9.26 in ²	200	150	80	6.48"	–	–	60 lb
CAT48HPGR	Pregalvanized, Painted, Painted	Green	3"	9.26 in ²	200	150	80	6.48"	–	–	60 lb
CAT48HPOR	Pregalvanized, Painted, Painted	Orange	3"	9.26 in ²	200	150	80	6.48"	–	–	60 lb
CAT48HPRD	Pregalvanized, Painted, Painted	Red	3"	9.26 in ²	200	150	80	6.48"	–	–	60 lb
CAT48HPWH	Pregalvanized, Painted, Painted	White	3"	9.26 in ²	200	150	80	6.48"	–	–	60 lb
CAT48HPYL	Pregalvanized, Painted, Painted	Yellow	3"	9.26 in ²	200	150	80	6.48"	–	–	60 lb
CAT64HP	Pregalvanized	–	4"	15.48 in ²	330	220	140	–	7.42"	7.09"	60 lb
CAT64HPBA	Pregalvanized, Painted, Painted	Black	4"	15.48 in ²	330	220	140	7.42"	–	–	60 lb
CAT64HPBU	Pregalvanized, Painted, Painted	Blue	4"	15.48 in ²	330	220	140	7.42"	–	–	60 lb
CAT64HPGR	Pregalvanized, Painted, Painted	Green	4"	15.48 in ²	330	220	140	7.42"	–	–	60 lb
CAT64HPOR	Pregalvanized, Painted, Painted	Orange	4"	15.48 in ²	330	220	140	7.42"	–	–	60 lb
CAT64HPRD	Pregalvanized, Painted, Painted	Red	4"	15.48 in ²	330	220	140	7.42"	–	–	60 lb
CAT64HPWH	Pregalvanized, Painted, Painted	White	4"	15.48 in ²	330	220	140	7.42"	–	–	60 lb
CAT64HPYL	Pregalvanized, Painted, Painted	Yellow	4"	15.48 in ²	330	220	140	7.42"	–	–	60 lb

Improved nVent CADDY Cat HP J-Hook

				Capacity(70% Fill)				
Cable	Number of Twisted Pairs	AWG	Cable Diameter	CAT16HP	CAT21HP	CAT32HP	CAT48HP	CAT64HP
UTP	4	24	0.197 in	20	30	70	160	280
FTP	4	24	0.236 in	15	20	50	110	190
SFTP	4	24	0.236 in	15	20	50	110	190
SFTP	4	23	0.276 in	10	15	40	85	140
F/STP	4	23	0.335 in	7	10	25	60	100
SFTP	4	23	0.335 in	7	10	25	60	100
SFTP	3x4	24	0.551 in	2	4	9	20	35
UTP	25	24	0.512 in	3	5	11	25	40

Non-continuous supports may not exceed spacing of 5' (1.5 m) per TIA 569-C.9.7 and EN 50174-2.
Cable capacity is calculated based on a 70% fill rate.



Wall mount:

- Flat flush mount allows for no gap between wall upon install
- Hex feature allows for pre-installed fastener
- Allows for multiple types of hardware, including shot fire



Threaded rod mount:

- 1/4" and 3/8"
- Quickly and easily bend hook for field install
- Use SN50 or SN37 for quick, simple securement to threaded rod



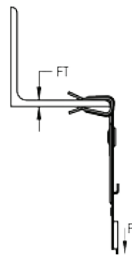
Ceiling/deck mount:

- Use commercially available shot fire (pins not included)
- Pin geometry minimizes prying effect during cable installation
- Quickly and easily bend hook for field install

Improved nVent CADDY Cat HP J-Hook Mod Clip Hammer-On Flange

Improved nVent CADDY Cat HP Mod Clip to Flange features two locking tabs that offer a secure hold—boosting both stability and flexibility on-site when installing nVent CADDY Cat HP J-Hooks. By eliminating the need for screws, rivets or special tools, both installation time and cost are reduced. Our innovative nVent CADDY J-Hook Versa-Mount Technology is compatible with the nVent CADDY Cat HP Mod Clip to Flange, allowing for multiple structural and installation methods for wall, ceiling and threaded rod mounting applications due to its unique attachment design.

IMPROVED NVENT CADDY CAT HP J-HOOK MOD CLIP WITH HAMMER-ON FLANGE CLIP



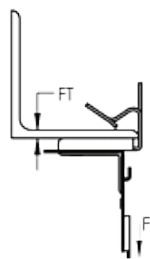
- Requires only a hammer to install
- Works with nVent J-Hook Versa-Mount technology from nVent CADDY

Finish: nVent CADDY Armour
Material: Spring Steel



Catalog Number	Flange Thickness (FT)	Static Load (F)
CATHPM58SM	0.3" – 0.5"	200 lb
CATHPM912SM	0.56" – 0.75"	200 lb

IMPROVED NVENT CADDY CAT HP J-HOOK MOD CLIP WITH HAMMER-ON FLANGE CLIP, SWIVEL



- Requires only a hammer to install
- Works with nVent J-Hook Versa-Mount technology from nVent CADDY

Finish: nVent CADDY Armour
Material: Spring Steel

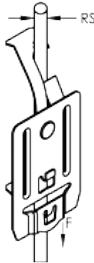


Catalog Number	Flange Thickness (FT)	Static Load (F)
CATHPM24	0.13" – 0.25"	75 lb
CATHPM58	0.3" – 0.5"	75 lb
CATHPM912	0.50" – 0.75"	75 lb

Improved nVent CADDY Cat HP J-Hook Mod Clip with Rod/Wire Clip

Improved nVent CADDY Cat HP Mod Clip J-Hook with Rod/Wire Clip allows for quick attachment to threaded rod or wire without screws or special tools. Enjoy enhanced stability and customization for efficient cable management while gaining ultimate flexibility on the job and minimizing inventory impact.

IMPROVED NVENT CADDY CAT HP J-HOOK MOD CLIP WITH ROD/WIRE CLIP



- Tool-free assembly
- Works with nVent J-Hook Versa-Mount technology from nVent CADDY

Finish: nVent CADDY Armour
Material: Spring Steel



Catalog Number	Rod Size (RS)	Wire Size	Static Load (F)
CATHPM4Z34	0.25", 0.375"	#12 - #8	20 lb
CATHPM8Z34	0.5"	-	50 lb

Improved nVent CADDY Cat HP J-Hook Mod Clip to Purlin

Improved nVent CADDY Cat HP Mod Clip to Purlin provides easy hammer-on installation of the nVent CADDY Cat HP J-Hook. Featuring two locking tabs, the clip offers a secure hold –boosting both stability and flexibility on-site. By eliminating the need for screws, rivets or special tools, overall cost is reduced. Our innovative nVent CADDY J-Hook Versa-Mount Technology is compatible with the nVent CADDY Cat HP Mod Clip to Purlin, allowing for multiple structural and installation methods for wall, ceiling and threaded rod mounting applications due to its unique attachment design.

IMPROVED NVENT CADDY CAT HP J-HOOK MOD CLIP WITH C PURLIN CLIP



- Hammer-on or install from the floor with the VAFT tool
- No screws, rivets or special tools required for assembly
- Works with nVent J-Hook Versa-Mount technology from nVent CADDY



Catalog Number	Finish	Material	Flange Thickness (FT)	Static Load (F)
CATHPMVF14	nVent CADDY Armour	Spring Steel	0.06" – 0.25"	160 lb

IMPROVED NVENT CADDY CAT HP J-HOOK MOD CLIP WITH Z PURLIN CLIP



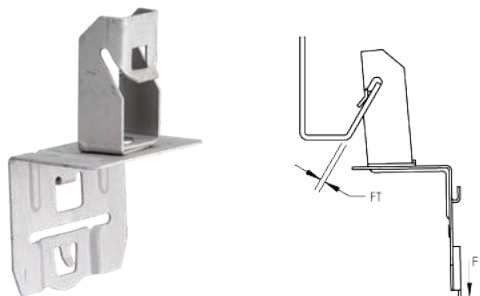
- Requires only a hammer to install
- Works with nVent J-Hook Versa-Mount technology from nVent CADDY



Catalog Number	Finish	Material	Flange Thickness (FT)	Static Load (F)
CATHPMAF14	nVent CADDY Armour	Spring Steel	0.06" – 0.25"	100 lb

Improved nVent CADDY Cat HP J-Hook Mod Clip to Purlin

IMPROVED NVENT CADDY CAT HP J-HOOK MOD CLIP WITH Z PURLIN CLIP, SWIVEL



- Requires only a hammer to install
- Works with nVent J-Hook Versa-Mount technology from nVent CADDY
- Two tabs lock onto nVent CADDY Cat HP components to provide rigidity and stability

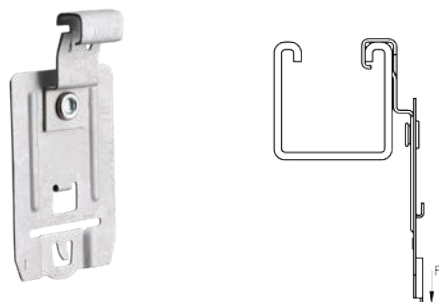


Catalog Number	Finish	Material	Flange Thickness (FT)	Static Load (F)
CATHPM123	Pregalvanized, nVent CADDY Armour	Steel, Spring Steel	0.1" – 0.1"	100 lb

Improved nVent CADDY Cat HP J-Hook Mod Clip with Strut Clip

Improved nVent CADDY Cat HP Mod Clip J-Hook with Strut Clip easily attaches to the side of strut, streamlining installation. Enjoy enhanced stability and customization for efficient cable management while gaining ultimate flexibility on the job and minimizing inventory impact.

IMPROVED NVENT CADDY CAT HP J-HOOK MOD CLIP WITH STRUT CLIP



- No screws, rivets or special tools required for assembly
- Works with nVent J-Hook Versa-Mount technology from nVent CADDY

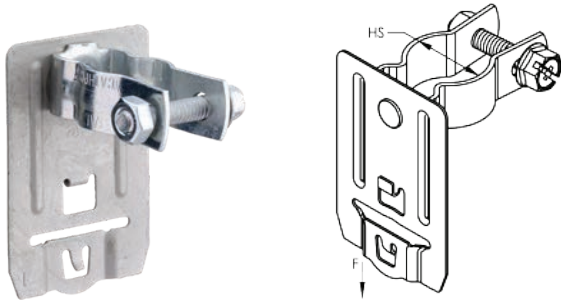


Catalog Number	Finish	Material	Static Load (F)
CATHPMESC	nVent CADDY Armour	Steel, Spring Steel	100 lb

Improved nVent CADDY Cat HP J-Hook Mod Clip to Pedestal

Improved nVent CADDY Cat HP Mod Clip J-Hook with Pedestal Clamp simplifies installation to pedestals under raised floors. Enjoy enhanced stability and customization for efficient cable management while gaining ultimate flexibility on the job and minimizing inventory impact.

IMPROVED NVENT CADDY CAT HP J-HOOK MOD CLIP WITH PEDESTAL CLAMP



- Listed for use with flexible conduit, cable, or tubing
- Requires no screws, rivets or special tools for assembly
- Works with nVent J-Hook Versa-Mount technology from nVent CADDY

Finish: Electrogalvanized; nVent CADDY Armour
Material: Steel; Spring Steel

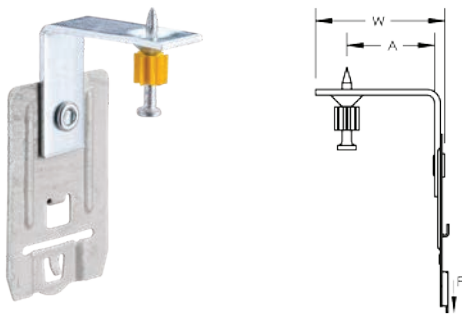


Catalog Number	Pedestal Size	Static Load (F)
CATHPMCD2.5B	1" Square	–
CATHPMCD3B	1-1/2" Round	–
CATHPMCD1B	3/4" Square, 7/8" – 1-1/8" Round	15.74 lb
CATHPMCD0B	3/4" Round	–
CATHPMCD2B	7/8" Square	–

Improved nVent CADDY Cat HP Mod Clip Brackets

Improved nVent CADDY Cat HP Mod Clip Brackets simplify cable management and offer both stability and flexibility during installation. Our bracket design allows users to modify the clip by using just a nut and bolt to add an attachment of choice. By eliminating the need for screws, rivets or special tools, both installation time and cost are reduced. Our innovative nVent CADDY J-Hook Versa-Mount Technology is compatible with the nVent CADDY Cat HP Mod Clip Brackets, allowing for multiple structural and installation methods for wall, ceiling and threaded rod mounting applications due to its unique attachment design.

IMPROVED NVENT CADDY CAT HP J-HOOK MOD CLIP WITH SHOT-FIRE BRACKET

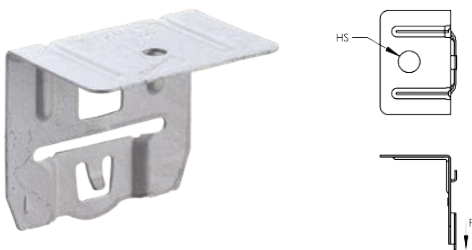


- Complete with nVent CADDY Cat HP J-Hook with Shot-Fire Bracket and pre-assembled drive pin from DEWALT®
- Works with nVent J-Hook Versa-Mount technology from nVent CADDY
- Quickly and easily attaches to concrete, steel or composite metal decking
- Integrated pin installs easily using powder-actuated or single-shot gas-actuated tools
- ICC-ES ESR-2024 evaluation report available for drive pin from DEWALT® ready-to-go out of the box



Catalog Number	Finish	Material	A	Static Load (F)	Width (W)
CATHPMABSF	Electrogalvanized, nVent CADDY Armour	Steel, Spring Steel	1.563"	60 lb	1.85"

IMPROVED NVENT CADDY CAT HP J-HOOK MOD CLIP WITH ANGLE BRACKET



- Works with nVent J-Hook Versa-Mount technology from nVent CADDY
- Quickly and easily attaches to concrete, steel or composite metal decking
- Integrated pin installs easily using powder-actuated or single-shot gas-actuated tools
- ICC-ES ESR-2024 evaluation report available for drive pin from DEWALT® ready-to-go out of the box



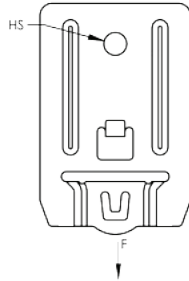
Finish: nVent CADDY Armour

Material: Spring Steel

Catalog Number	Hole Size (HS)	Static Load (F)
CATHPMAN	0.1875"	160 lb
CATHPMA4	0.25"	200 lb
CATHPMA6	0.375"	200 lb
CATHPMA8	0.5"	200 lb

Improved nVent CADDY Cat HP Mod Clip Brackets

IMPROVED NVENT CADDY CAT HP J-HOOK MOD CLIP WITH STRAIGHT BRACKET



- Can be attached to various nVent CADDY fasteners or screwed directly to a wall
- Ideal for attaching to concrete, steel or wood surfaces
- Works with nVent J-Hook Versa-Mount technology from nVent CADDY
- No screws, rivets or special tools required for assembly

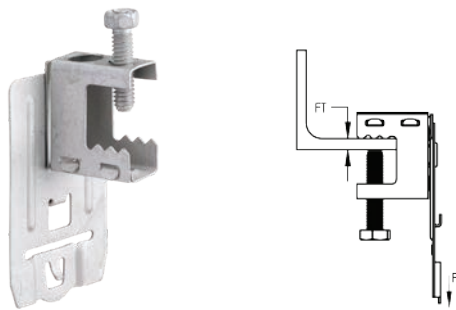


Catalog Number	Finish	Material	Hole Size (HS)	Static Load (F)
CATHPMS4	nVent CADDY Armour	Spring Steel	0.25"	200 lb

Improved nVent CADDY Cat HP Mod Clip Beam Clamp

Improved nVent CADDY Cat HP Mod Clip Beam Clamp features two locking tabs that offer a secure hold—boosting both stability and flexibility on-site when installing nVent CADDY Cat HP J-Hooks. By eliminating the need for screws, rivets or special tools, both installation time and cost are reduced. Our innovative nVent CADDY J-Hook Versa-Mount Technology is compatible with the nVent CADDY Cat HP Mod Clip Beam Clamp, allowing for multiple structural and installation methods for wall, ceiling and threaded rod mounting applications due to its unique attachment design.

IMPROVED NVENT CADDY CAT HP J-HOOK MOD CLIP WITH BC BEAM CLAMP

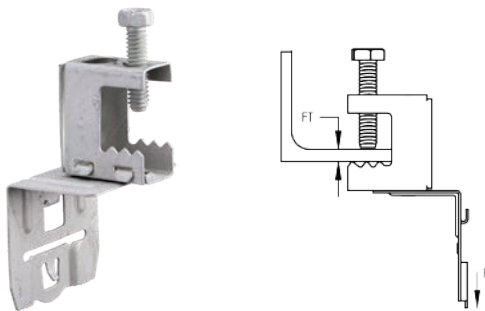


- Easy beam flange installation
- Works with nVent J-Hook Versa-Mount technology from nVent CADDY



Catalog Number	Finish	Material	Flange Thickness (FT)	Static Load (F)
CATHPMBC	Electrogalvanized, nVent CADDY Armour	Steel, Spring Steel	0.63" Max	100 lb

IMPROVED NVENT CADDY CAT HP J-HOOK MOD CLIP WITH BC BEAM CLAMP, SWIVEL



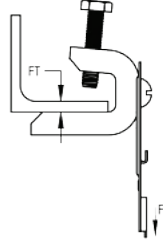
- Rotates 360 degrees to support various directional runs of cable
- Works with nVent J-Hook Versa-Mount technology from nVent CADDY



Catalog Number	Finish	Material	Flange Thickness (FT)	Static Load (F)
CATHPMBCB	Electrogalvanized, nVent CADDY Armour	Steel, Spring Steel	0.63" Max	60 lb

Improved nVent CADDY Cat HP Mod Clip Beam Clamp

IMPROVED NVENT CADDY CAT HP J-HOOK MOD CLIP WITH BC200 BEAM CLAMP

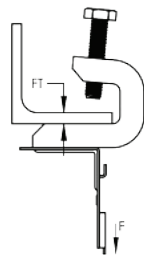


- Easy beam flange installation
- Tool-free assembly
- Works with nVent J-Hook Versa-Mount technology from nVent CADDY



Catalog Number	Finish	Material	Flange Thickness (FT)	Static Load (F)
CATHPMBC200	Electrogalvanized, nVent CADDY Armour	Steel, Spring Steel	0.125" – 0.625"	100 lb

IMPROVED NVENT CADDY CAT HP J-HOOK MOD CLIP WITH BC200 BEAM CLAMP, SWIVEL



- Rotates 360 degrees to support various directional runs of cable
- Works with nVent J-Hook Versa-Mount technology from nVent CADDY



Catalog Number	Finish	Material	Flange Thickness (FT)	Static Load (F)
CATHPMBC200B	Electrogalvanized, nVent CADDY Armour	Steel, Spring Steel	0.125" – 0.625"	100 lb



nVent CADDY **WORKING SMARTER**

Innovative, time-saving products designed to help you work safer, more efficiently and with greater success.





Our powerful portfolio of brands:

CADDY ERICO HOFFMAN ILSCO SCHROFF TRACHTE