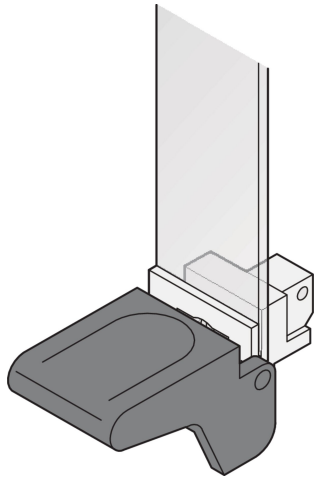


# Extractor Handle Key Form 1



Extractor handle key form 1, can be used to extract PCBs. The handles are available in black or grey and top and bottom versions.

## CERTIFICATIONS



## FEATURES

Handle UL 94 V-0, bearing Zn die-cast

At 6 U, the printed board location can be offset 1 HP to the right by swapping the upper and lower handles. This creates space for SMD components on the left hand side

Please order the collar screws separatly.

## SPECIFICATIONS

- Type:** Extractor
- Works With:** Front Panels
- Product Type:** Handle
- Material:** Polycarbonate

| Table 1/1      |       |                  |             |                     |
|----------------|-------|------------------|-------------|---------------------|
| Catalog Number | Color | Package Quantity | Handle Type | Flammability Rating |

|           |       |   |                          |           |
|-----------|-------|---|--------------------------|-----------|
| 20817-325 | Grey  | 1 | Extractor Form 1, Bottom | UL® 94V-0 |
| 20817-346 | Black | 1 | Extractor Form 1, Top    | UL® 94V-0 |
| 20817-345 | Black | 1 | Extractor Form 1, Bottom | UL® 94V-0 |
| 20817-326 | Grey  | 1 | Extractor Form 1, Top    | UL® 94V-0 |

## ADDITIONAL PRODUCT DETAILS

Please take into consideration that deliveries may be carried out in the stated SPQs (SPQ, e.g. 5 pieces, 10 pieces, 50 pieces, etc.). Differing order quantities (e.g. 2 pieces) may be changed to the next possible delivery quantity = Standard Pack Quantity.

## WARNING

nVent products shall be installed and used only as indicated in nVent's product instruction sheets and training materials. Instruction sheets are available at [www.nvent.com](http://www.nvent.com) and from your nVent customer service representative. Improper installation, misuse, misapplication or other failure to completely follow nVent's instructions and warnings may cause product malfunction, property damage, serious bodily injury and death and/or void your warranty.

### North America

All locations  
+1.763.422.2661  
Chat with us:  
[nvent.com/schroff](http://nvent.com/schroff)

### Europe

Straubenhardt, Germany  
+49.7082.794.0  
Betschdorf, France  
+33.3.88.90.64.90  
Warsaw, Poland  
+48.22.209.98.35  
Assago, Italy  
+39.02.932.7141  
Chat with us:  
[nvent.com/schroff](http://nvent.com/schroff)

### Asia

Shanghai, China  
+86.21.2412.6943  
Qingdao, China  
+86.532.8771.6101  
Singapore  
+65.6768.5800  
Shin-Yokohama, Japan  
+81.45.476.0271  
Chat with us:  
[nvent.com/schroff](http://nvent.com/schroff)

### Middle East & India

Dubai, United Arab Emirates  
+971.4.378.1700  
Bangalore, India  
+91.80.6715.2001  
Istanbul, Turkey  
+90.216.250.7374  
Chat with us:  
[nvent.com/schroff](http://nvent.com/schroff)



Our powerful portfolio of brands:

**CADDY ERICO HOFFMAN ILSCO SCHROFF TRACHTE**