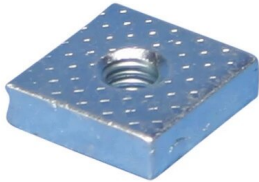


# Universal Square Nut



## FEATURES

Square shape allows for tightening with pliers for installations where space is limited

## SPECIFICATIONS

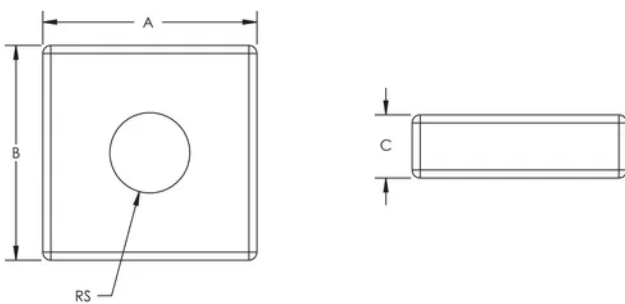
**Finish:** Electrogalvanized

**Material:** Steel

Table 1/1

Catalog Number	Article Number	Rod Size (RS)	A	B	C
VKM6	187310	6	17 mm	17 mm	5 mm
VKM8	187320	8	17 mm	17 mm	5 mm
VKM10	187330	10	17 mm	17 mm	5 mm

## DIAGRAMS



## WARNING

---

nVent products shall be installed and used only as indicated in nVent's product instruction sheets and training materials. Instruction sheets are available at [www.nvent.com](http://www.nvent.com) and from your nVent customer service representative. Improper installation, misuse, misapplication or other failure to completely follow nVent's instructions and warnings may cause product malfunction, property damage, serious bodily injury and death and/or void your warranty.

### North America

+1.800.753.9221

Option 1 – Customer Care

Option 2 – Technical

Support

### Europe

Netherlands:

+31 800-0200135

France:

+33 800 901 793

### Europe

Germany:

800 1890272

Other Countries:

+31 13 5835404

### APAC

Shanghai:

+ 86 21 2412 1618/19

Sydney:

+61 2 9751 8500



Our powerful portfolio of brands:

**CADDY**

**ERICO**

**HOFFMAN**

**ILSCO**

**SCHROFF**

**TRACHTE**

