

Front Panel, U-profile, Retrofit Shielding



U-profile front panel for textile EMC gasket.

CERTIFICATIONS



FEATURES

U-profile, front panel, Al, 2.5 mm, front anodized, rear conductive

For EMC textile gasket

SPECIFICATIONS

| | |
|------------------------|----------------------------|
| Depth (D): | 2.5mm |
| Material: | Aluminum |
| Finish: | Anodized; Passivated |
| Accessory Type: | Front panel |
| Product Type: | Front Panel |
| Type: | Front Panel without Handle |
| EMC Shielding: | No (Retrofittable) |

Table 1/3

| Catalog Number | Rack Height | Rack Width | Package Quantity | Mounting | Gasket Type | Front Finish |
|----------------|-------------|------------|------------------|----------|-------------|--------------|
|----------------|-------------|------------|------------------|----------|-------------|--------------|

| | | | | | | |
|-----------|----|------|---|----------------|-------------|----------|
| 30848-385 | 3U | 9HP | 1 | Screw-on Front | Textile EMC | Anodized |
| 30848-354 | 3U | 4HP | 1 | Screw-on Front | Textile EMC | Anodized |
| 20848-120 | 6U | 28HP | 1 | Screw-on Front | Textile EMC | Anodized |
| 30848-387 | 6U | 10HP | 1 | Screw-on Front | Textile EMC | Anodized |
| 20848-047 | 3U | 42HP | 1 | Screw-on Front | Textile EMC | Anodized |
| 20848-139 | 6U | 42HP | 1 | Screw-on Front | Textile EMC | Anodized |
| 20848-650 | 5U | 84HP | 1 | Screw-on Front | Textile EMC | Anodized |
| 30848-381 | 6U | 6HP | 1 | Screw-on Front | Textile EMC | Anodized |
| 30848-386 | 3U | 10HP | 1 | Screw-on Front | Textile EMC | Anodized |
| 20848-160 | 6U | 63HP | 1 | Screw-on Front | Textile EMC | Anodized |
| 20848-649 | 5U | 63HP | 1 | Screw-on Front | Textile EMC | Anodized |
| 20848-269 | 4U | 42HP | 1 | Screw-on Front | Textile EMC | Anodized |
| 30848-380 | 3U | 6HP | 1 | Screw-on Front | Textile EMC | Anodized |
| 20848-206 | 2U | 28HP | 1 | Screw-on Front | Textile EMC | Anodized |
| 30848-382 | 3U | 7HP | 1 | Screw-on Front | Textile EMC | Anodized |
| 20848-270 | 4U | 42HP | 1 | Screw-on Front | Textile EMC | Anodized |
| 20848-648 | 5U | 42HP | 1 | Screw-on Front | Textile EMC | Anodized |
| 20848-262 | 2U | 84HP | 1 | Screw-on Front | Textile EMC | Anodized |
| 20848-027 | 3U | 28HP | 1 | Screw-on Front | Textile EMC | Anodized |
| 30848-384 | 3U | 9HP | 1 | Screw-on Front | Textile EMC | Anodized |

Table 2/3

| Catalog Number | Rack Height | Rack Width | Package Quantity | Mounting | Gasket Type | Front Finish |
|----------------|-------------|------------|------------------|----------------|-------------|--------------|
| 20848-647 | 5U | 28HP | 1 | Screw-on Front | Textile EMC | Anodized |
| 20848-268 | 4U | 28HP | 1 | Screw-on Front | Textile EMC | Anodized |
| 30848-383 | 6U | 7HP | 1 | Screw-on Front | Textile EMC | Anodized |
| 20848-280 | 9U | 84HP | 1 | Screw-on Front | Textile EMC | Anodized |
| 30848-357 | 6U | 8HP | 1 | Screw-on Front | Textile EMC | Anodized |
| 20848-068 | 3U | 63HP | 1 | Screw-on Front | Textile EMC | Anodized |
| 20848-260 | 2U | 42HP | 1 | Screw-on Front | Textile EMC | Anodized |
| 20848-013 | 3U | 14HP | 1 | Screw-on Front | Textile EMC | Anodized |
| 30848-359 | 6U | 12HP | 1 | Screw-on Front | Textile EMC | Anodized |
| 30849-005 | 6U | 3HP | 1 | Screw-on Front | Textile EMC | Anodized |
| 20848-189 | 6U | 84HP | 1 | Screw-on Front | Textile EMC | Anodized |
| 20848-015 | 3U | 16HP | 1 | Screw-on Front | Textile EMC | Anodized |

| Catalog Number | Rack Height | Rack Width | Package Quantity | Mounting | Gasket Type | Front Finish |
|----------------|-------------|------------|------------------|----------------|-------------|--------------|
| 30848-378 | 3U | 5HP | 1 | Screw-on Front | Textile EMC | Anodized |
| 20848-020 | 3U | 21HP | 1 | Screw-on Front | Textile EMC | Anodized |
| 30849-004 | 3U | 3HP | 1 | Screw-on Front | Textile EMC | Anodized |
| 30848-358 | 3U | 12HP | 1 | Screw-on Front | Textile EMC | Anodized |
| 20848-106 | 6U | 14HP | 1 | Screw-on Front | Textile EMC | Anodized |
| 30848-379 | 6U | 5HP | 1 | Screw-on Front | Textile EMC | Anodized |
| 20848-108 | 6U | 16HP | 1 | Screw-on Front | Textile EMC | Anodized |
| 30849-002 | 6U | 2HP | 1 | Screw-on Front | Textile EMC | Anodized |

Table 3/3

| Catalog Number | Rack Height | Rack Width | Package Quantity | Mounting | Gasket Type | Front Finish |
|----------------|-------------|------------|------------------|----------------|-------------|--------------|
| 30848-356 | 3U | 8HP | 1 | Screw-on Front | Textile EMC | Anodized |
| 20848-097 | 3U | 84HP | 1 | Screw-on Front | Textile EMC | Anodized |
| 20848-271 | 4U | 84HP | 1 | Screw-on Front | Textile EMC | Anodized |
| 30848-355 | 6U | 4HP | 1 | Screw-on Front | Textile EMC | Anodized |
| 20848-113 | 6U | 21HP | 1 | Screw-on Front | Textile EMC | Anodized |
| 20848-261 | 2U | 63HP | 1 | Screw-on Front | Textile EMC | Anodized |
| 30849-001 | 3U | 2HP | 1 | Screw-on Front | Textile EMC | Anodized |

Table 1/3

| Catalog Number | Rear Finish | Treated Edges | Complies With | Height (H) | Width (W) | Certifications |
|----------------|-------------|---------------|---------------------------------|------------|-----------|----------------|
| 30848-385 | Conductive | No | IEC 60297-3-101, IEEE 1101.1/10 | 261.8mm | 45.38mm | |
| 30848-354 | Conductive | No | IEC 60297-3-101, IEEE 1101.1/10 | 128.4mm | 20mm | RoHS |
| 20848-120 | Conductive | No | IEC 60297-3-101, IEEE 1101.1/10 | 261.8mm | 141.9mm | RoHS |
| 30848-387 | Conductive | No | IEC 60297-3-101, IEEE 1101.1/10 | 261.8mm | 50.5mm | RoHS |
| 20848-047 | Conductive | No | IEC 60297-3-101, IEEE 1101.1/10 | 128.4mm | 213mm | RoHS |

| Catalog Number | Rear Finish | Treated Edges | Complies With | Height (H) | Width (W) | Certifications |
|----------------|-------------|---------------|---------------------------------|------------|-----------|----------------|
| 20848-139 | Conductive | No | IEC 60297-3-101, IEEE 1101.1/10 | 261.8mm | 213mm | RoHS |
| 20848-650 | Conductive | No | IEC 60297-3-101, IEEE 1101.1/10 | 217.4mm | 426.4mm | |
| 30848-381 | Conductive | No | IEC 60297-3-101, IEEE 1101.1/10 | 261.8mm | 30.1mm | RoHS |
| 30848-386 | Conductive | No | IEC 60297-3-101, IEEE 1101.1/10 | 128.4mm | 50.5mm | RoHS |
| 20848-160 | Conductive | No | IEC 60297-3-101, IEEE 1101.1/10 | 261.8mm | 319.7mm | RoHS |
| 20848-649 | Conductive | No | IEC 60297-3-101, IEEE 1101.1/10 | 217.4mm | 319.7mm | |
| 20848-269 | Conductive | No | IEC 60297-3-101, IEEE 1101.1/10 | 172.9mm | 213mm | RoHS |
| 30848-380 | Conductive | No | IEC 60297-3-101, IEEE 1101.1/10 | 128.4mm | 30.1mm | RoHS |
| 20848-206 | Conductive | No | IEC 60297-3-101, IEEE 1101.1/10 | 84mm | 141.9mm | |
| 30848-382 | Conductive | No | IEC 60297-3-101, IEEE 1101.1/10 | 128.4mm | 35.2mm | RoHS |
| 20848-270 | Conductive | No | IEC 60297-3-101, IEEE 1101.1/10 | 172.9mm | 213mm | RoHS |
| 20848-648 | Conductive | No | IEC 60297-3-101, IEEE 1101.1/10 | 217.4mm | 213mm | |
| 20848-262 | Conductive | No | IEC 60297-3-101, IEEE 1101.1/10 | 84mm | 426.4mm | RoHS |
| 20848-027 | Conductive | No | IEC 60297-3-101, IEEE 1101.1/10 | 128.4mm | 141.9mm | RoHS |

| Catalog Number | Rear Finish | Treated Edges | Complies With | Height (H) | Width (W) | Certifications |
|----------------|-------------|---------------|---------------------------------|------------|-----------|----------------|
| 30848-384 | Conductive | No | IEC 60297-3-101, IEEE 1101.1/10 | 128.4mm | 45.38mm | |

Table 2/3

| Catalog Number | Rear Finish | Treated Edges | Complies With | Height (H) | Width (W) | Certifications |
|----------------|-------------|---------------|---------------------------------|------------|-----------|----------------|
| 20848-647 | Conductive | No | IEC 60297-3-101, IEEE 1101.1/10 | 217.4mm | 141.9mm | |
| 20848-268 | Conductive | No | IEC 60297-3-101, IEEE 1101.1/10 | 172.9mm | 141.9mm | RoHS |
| 30848-383 | Conductive | No | IEC 60297-3-101, IEEE 1101.1/10 | 261.8mm | 35.2mm | RoHS |
| 20848-280 | Conductive | No | IEC 60297-3-101, IEEE 1101.1/10 | 395.1mm | 426.4mm | RoHS |
| 30848-357 | Conductive | No | IEC 60297-3-101, IEEE 1101.1/10 | 261.8mm | 40.3mm | RoHS |
| 20848-068 | Conductive | No | IEC 60297-3-101, IEEE 1101.1/10 | 128.4mm | 319.7mm | RoHS |
| 20848-260 | Conductive | No | IEC 60297-3-101, IEEE 1101.1/10 | 84mm | 213mm | |
| 20848-013 | Conductive | No | IEC 60297-3-101, IEEE 1101.1/10 | 128.4mm | 70.8mm | RoHS |
| 30848-359 | Conductive | No | IEC 60297-3-101, IEEE 1101.1/10 | 261.8mm | 60.6mm | RoHS |
| 30849-005 | Conductive | No | IEC 60297-3-101, IEEE 1101.1/10 | 261.8mm | 14.9mm | |
| 20848-189 | Conductive | No | IEC 60297-3-101, IEEE 1101.1/10 | 261.8mm | 426.4mm | RoHS |
| 20848-015 | Conductive | No | IEC 60297-3-101, IEEE 1101.1/10 | 128.4mm | 80.9mm | RoHS |

| Catalog Number | Rear Finish | Treated Edges | Complies With | Height (H) | Width (W) | Certifications |
|----------------|-------------|---------------|---------------------------------|------------|-----------|----------------|
| 30848-378 | Conductive | No | IEC 60297-3-101, IEEE 1101.1/10 | 128.4mm | 25mm | RoHS |
| 20848-020 | Conductive | No | IEC 60297-3-101, IEEE 1101.1/10 | 128.4mm | 106.3mm | RoHS |
| 30849-004 | Conductive | No | IEC 60297-3-101, IEEE 1101.1/10 | 128.4mm | 14.9mm | RoHS |
| 30848-358 | Conductive | No | IEC 60297-3-101, IEEE 1101.1/10 | 128.4mm | 60.6mm | RoHS |
| 20848-106 | Conductive | No | IEC 60297-3-101, IEEE 1101.1/10 | 261.8mm | 70.8mm | RoHS |
| 30848-379 | Conductive | No | IEC 60297-3-101, IEEE 1101.1/10 | 261.8mm | 25mm | RoHS |
| 20848-108 | Conductive | No | IEC 60297-3-101, IEEE 1101.1/10 | 261.8mm | 80.9mm | RoHS |
| 30849-002 | Conductive | No | IEC 60297-3-101, IEEE 1101.1/10 | 261.8mm | 9.8mm | RoHS |

Table 3/3

| Catalog Number | Rear Finish | Treated Edges | Complies With | Height (H) | Width (W) | Certifications |
|----------------|-------------|---------------|---------------------------------|------------|-----------|----------------|
| 30848-356 | Conductive | No | IEC 60297-3-101, IEEE 1101.1/10 | 128.4mm | 40.3mm | RoHS |
| 20848-097 | Conductive | No | IEC 60297-3-101, IEEE 1101.1/10 | 128.4mm | 426.4mm | RoHS |
| 20848-271 | Conductive | No | IEC 60297-3-101, IEEE 1101.1/10 | 172.9mm | 426.4mm | RoHS |
| 30848-355 | Conductive | No | IEC 60297-3-101, IEEE 1101.1/10 | 261.8mm | 20mm | RoHS |
| 20848-113 | Conductive | No | IEC 60297-3-101, IEEE 1101.1/10 | 261.8mm | 106.3mm | RoHS |

| Catalog Number | Rear Finish | Treated Edges | Complies With | Height (H) | Width (W) | Certifications |
|----------------|-------------|---------------|---------------------------------|------------|-----------|----------------|
| 20848-261 | Conductive | No | IEC 60297-3-101, IEEE 1101.1/10 | 84mm | 319.7mm | |
| 30849-001 | Conductive | No | IEC 60297-3-101, IEEE 1101.1/10 | 128.4mm | 9.8mm | RoHS |

ADDITIONAL PRODUCT DETAILS

Please order fixing material (sleeves, collar screws) separately.

14 ... 84 HP: multi-part U-profile (front panel with crimped profiles).

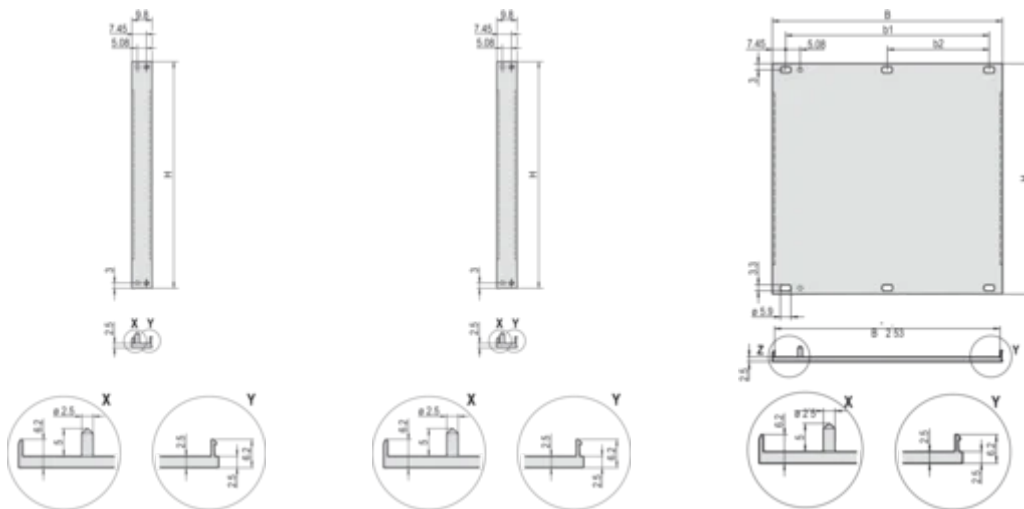
Differences in finish between 2 ... 12 HP and 14 ... 84 HP.

2 ... 12 HP: one-part U-profile

Please order textile EMC gasket separately.

Standard pack quantity: 2 to 28HP: 5 pieces, 42 to 84 HP: 1 piece, supplied in standard pack quantities (SPQ) only.

DIAGRAMS



WARNING

nVent products shall be installed and used only as indicated in nVent's product instruction sheets and training materials. Instruction sheets are available at www.nvent.com and from your nVent customer service representative. Improper installation, misuse, misapplication or other failure to completely follow nVent's instructions and warnings may cause product malfunction, property damage, serious bodily injury and death and/or void your warranty.

North America

All locations

+1.763.422.2661

Chat with us:

nvent.com/schroff

Europe

Straubenhardt, Germany

+49.7082.794.0

Betschdorf, France

+33.3.88.90.64.90

Warsaw, Poland

+48.22.209.98.35

Assago, Italy

+39.02.932.7141

Chat with us:

nvent.com/schroff

Asia

Shanghai, China

+86.21.2412.6943

Qingdao, China

+86.532.8771.6101

Singapore

+65.6768.5800

Shin-Yokohama, Japan

+81.45.476.0271

Chat with us:

nvent.com/schroff

Middle East & India

Dubai, United Arab

Emirates

+971.4.378.1700

Bangalore, India

+91.80.6715.2001

Istanbul, Turkey

+90.216.250.7374

Chat with us:

nvent.com/schroff



Our powerful portfolio of brands:

CADDY

ERICO

HOFFMAN

ILSCO

SCHROFF

TRACHTE