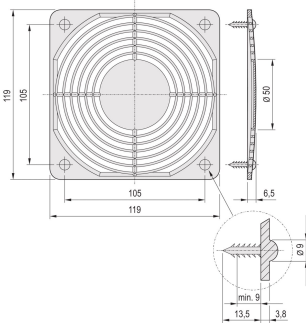


Protective Grille

Protective grille for AC and DC fans.



CERTIFICATIONS



FEATURES

Grille may be mounted on a front panel or the wall of the housing

Optimised noise level and air resistance

SPECIFICATIONS

Table 1/1

| Catalog Number | Works With | Finish | Material | Package Quantity |
|----------------|---------------|--------|-----------|------------------|
| 60197-019 | 19" Fan Trays | Chrome | Steel | 1 |
| 60225-052 | 19" Fan Trays | | Polyamide | 1 |
| 60225-053 | 19" Fan Trays | | Polyamide | 1 |

WARNING

nVent products shall be installed and used only as indicated in nVent's product instruction sheets and training materials. Instruction sheets are available at www.nvent.com and from your nVent customer service representative. Improper installation, misuse, misapplication or other failure to completely follow nVent's instructions and warnings may cause product malfunction, property damage, serious bodily injury and death and/or void your warranty.

North America

All locations

+1.763.422.2661

Chat with us:

nvent.com/schroff

Europe

Straubenhardt, Germany

+49.7082.794.0

Betschdorf, France

+33.3.88.90.64.90

Warsaw, Poland

+48.22.209.98.35

Assago, Italy

+39.02.932.7141

Chat with us:

nvent.com/schroff

Asia

Shanghai, China

+86.21.2412.6943

Qingdao, China

+86.532.8771.6101

Singapore

+65.6768.5800

Shin-Yokohama, Japan

+81.45.476.0271

Chat with us:

nvent.com/schroff

Middle East & India

Dubai, United Arab

Emirates

+971.4.378.1700

Bangalore, India

+91.80.6715.2001

Istanbul, Turkey

+90.216.250.7374

Chat with us:

nvent.com/schroff



Our powerful portfolio of brands:

CADDY

ERICO

HOFFMAN

ILSCO

SCHROFF

TRACHTE