

# nVent CADDY Macrofix Plus, 165–169 mm OD, 6" Pipe, 150 DN, M8, M10 Rod

## CATALOG NUMBER

**MPD169**



## CERTIFICATIONS



## FEATURES

Includes easy closing mechanism

Age-resistant lining

Combo head bolt works with slotted, hex, or Phillips drivers

Category II noise reduction according to DIN EN ISO 3822-1

Compliant for sound insulation design according to DIN 4109

Reaction-to-fire classification is "E" in compliance with DIN EN 13501-1

## PRODUCT ATTRIBUTES

Article Number: 400099

Material: Steel;EPDM-SBR Rubber

Finish: Electrogalvanized

Color: Black

Temperature: -50 to 110 °C

Outer Diameter (OD): 165 - 169 mm

Pipe Size: 6"

NB/DN: 150

Rod Size (RS): M8;M10

Width (W): 23 mm

Thickness (T): 2.5 mm

Screw Diameter (Sc): 8

Screw Length (L): 30mm

Static Load: 2200N

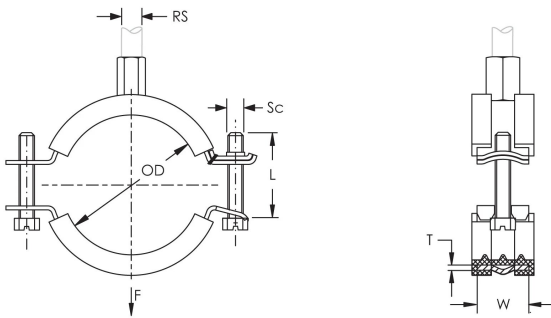
## ADDITIONAL PRODUCT DETAILS

---

Lining is EPDM rubber.

## DIAGRAMS

---



## WARNING

---

nVent products shall be installed and used only as indicated in nVent's product instruction sheets and training materials. Instruction sheets are available at [www.nvent.com](http://www.nvent.com) and from your nVent customer service representative. Improper installation, misuse, misapplication or other failure to completely follow nVent's instructions and warnings may cause product malfunction, property damage, serious bodily injury and death and/or void your warranty.

**North America**

+1.800.753.9221

Option 1 – Customer Care

Option 2 – Technical

Support

**Europe**

Netherlands:

+31 800-0200135

France:

+33 800 901 793

**Europe**

Germany:

800 1890272

Other Countries:

+31 13 5835404

**APAC**

Shanghai:

+ 86 21 2412 1618/19

Sydney:

+61 2 9751 8500



Our powerful portfolio of brands:

**CADDY**

**ERICO**

**HOFFMAN**

**ILSCO**

**SCHROFF**

**TRACHTE**

