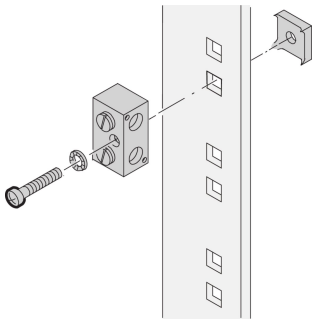


Grounding/Grounding Clamp

Data Solutions



These mechanical grounding clamps are designed for use with cable to bar in grounding and bonding systems. The Schroff grounding clamp allows a cross section of 100 mm².

CERTIFICATIONS



FEATURES

Maximum cable cross-section 100 mm²

IBM-compatible grounding terminal for connecting a cabinet to the building ground

Surface tin-plated, in accordance with IBM Ref. No. 4716804

SPECIFICATIONS

Table 1/1

Catalog Number	Product Type	Finish	Material	Package Quantity
20118-030	Clamp	Galvanized	Aluminum	1

WARNING

nVent products shall be installed and used only as indicated in nVent's product instruction sheets and training materials. Instruction sheets are available at www.nvent.com and from your nVent customer service representative. Improper installation, misuse, misapplication or other failure to completely follow nVent's instructions and warnings may cause product malfunction, property damage, serious bodily injury and death and/or void your warranty.



Our powerful portfolio of brands:

CADDY ERICO HOFFMAN ILSCO SCHROFF TRACHTE