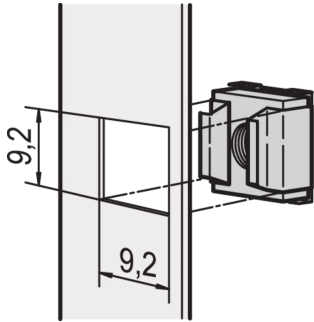


# Cage Nut Kit



Cage nuts permit range of choice of nut and bolts sizes and easily replaced unlike pre-threaded holes. Cage nuts are easy to use on materials too thin or soft to be threaded.

## CERTIFICATIONS



## FEATURES

For assembly of parts which require a thread size of M4 or M5

For standard grounding use a grounding nut and washer on at least one attachment point

## SPECIFICATIONS

**Product Type:** Nut  
**Material:** Steel

Table 1/1

| Catalog Number | Finish      | Package Quantity | Thread Size | Product Family | Type                | Works With  |
|----------------|-------------|------------------|-------------|----------------|---------------------|---|
| 21120-127      | Zinc Plated | 10               | M4          |                | Cage Nut, Grounding | Front Panels, Eurorack, Novastar, Varistar, Varistar CP |

| Catalog Number | Finish      | Package Quantity | Thread Size | Product Family  | Type                | Works With  |
|----------------|-------------|------------------|-------------|---|---------------------|---|
| 21120-129      | Zinc Plated | 10               | M5          |   | Cage Nut, Grounding | Front Panels, Eurorack, Novastar, Varistar, Varistar CP |
| 21120-131      | Zinc Plated | 10               | M6          | RatiopacPRO, RatiopacPRO AIR, CompacPRO, PropacPRO, Comptec, Inpac, MultipacPRO | Cage Nut, Grounding | Front Panels, Eurorack, Novastar, Varistar, Varistar CP |
| 21100-003      | Zinc Plated | 50               | M6          | RatiopacPRO, RatiopacPRO AIR, CompacPRO, PropacPRO, Comptec, Inpac, MultipacPRO | Cage Nut            | Front Panels, Eurorack, Novastar, Varistar, Varistar CP |
| 21100-001      | Zinc Plated | 50               | M4          |   | Cage Nut            | Front Panels, Eurorack, Novastar, Varistar, Varistar CP |
| 21100-215      | Zinc Plated | 50               | M5          |   | Cage Nut            | Front Panels, Eurorack, Novastar, Varistar, Varistar CP |
| 21100-216      | Zinc Plated | 100              | M5          |   | Cage Nut            | Front Panels, Eurorack, Novastar, Varistar, Varistar CP |
| 21120-130      | Zinc Plated | 100              | M5          |   | Cage Nut, Grounding | Front Panels, Eurorack, Novastar, Varistar, Varistar CP |
| 21120-132      | Zinc Plated | 100              | M6          | RatiopacPRO, RatiopacPRO AIR, CompacPRO, PropacPRO, Comptec, Inpac, MultipacPRO | Cage Nut, Grounding | Front Panels, Eurorack, Novastar, Varistar, Varistar CP |

| Catalog Number | Finish      | Package Quantity | Thread Size | Product Family  | Type                | Works With  |
|----------------|-------------|------------------|-------------|---|---------------------|---|
| 21120-128      | Zinc Plated | 100              | M4          |   | Cage Nut, Grounding | Front Panels, Eurorack, Novastar, Varistar, Varistar CP |
| 21100-004      | Zinc Plated | 100              | M6          | RatiopacPRO, RatiopacPRO AIR, CompacPRO, PropacPRO, Comptec, Inpac, MultipacPRO | Cage Nut            | Front Panels, Eurorack, Novastar, Varistar, Varistar CP |
| 21100-002      | Zinc Plated | 100              | M4          |   | Cage Nut            | Front Panels, Eurorack, Novastar, Varistar, Varistar CP |

## WARNING

nVent products shall be installed and used only as indicated in nVent's product instruction sheets and training materials. Instruction sheets are available at [www.nvent.com](http://www.nvent.com) and from your nVent customer service representative. Improper installation, misuse, misapplication or other failure to completely follow nVent's instructions and warnings may cause product malfunction, property damage, serious bodily injury and death and/or void your warranty.

### North America

All locations  
+1.763.422.2661  
Chat with us:  
[nvent.com/schroff](http://nvent.com/schroff)

### Europe

Straubenhardt, Germany  
+49.7082.794.0  
Betschdorf, France  
+33.3.88.90.64.90  
Warsaw, Poland  
+48.22.209.98.35  
Assago, Italy  
+39.02.932.7141  
Chat with us:  
[nvent.com/schroff](http://nvent.com/schroff)

### Asia

Shanghai, China  
+86.21.2412.6943  
Qingdao, China  
+86.532.8771.6101  
Singapore  
+65.6768.5800  
Shin-Yokohama, Japan  
+81.45.476.0271  
Chat with us:  
[nvent.com/schroff](http://nvent.com/schroff)

### Middle East & India

Dubai, United Arab Emirates  
+971.4.378.1700  
Bangalore, India  
+91.80.6715.2001  
Istanbul, Turkey  
+90.216.250.7374  
Chat with us:  
[nvent.com/schroff](http://nvent.com/schroff)



Our powerful portfolio of brands:

**CADDY ERICO HOFFMAN ILSCO SCHROFF TRACHTE**