

Heavy-Duty Pipe Clamp 88-97mm, 3" Pipe, DN 80, M10/M12, Geomet

CATALOG NUMBER

HDN080G



CERTIFICATIONS

FM Approved, Pipe Hanger Components

FEATURES

Fillet welded connector nut has flats to accommodate spanners

PRODUCT ATTRIBUTES

Article Number: 579132

Nut Included: Yes

Material: Steel

Finish: GEOMET® 321

Outer Diameter (OD): 88 - 97 mm

Pipe Size: 3"

NB/DN: 80

Rod Size (RS): M10;M12

Width (W): 30 mm

Thickness (T): 3 mm

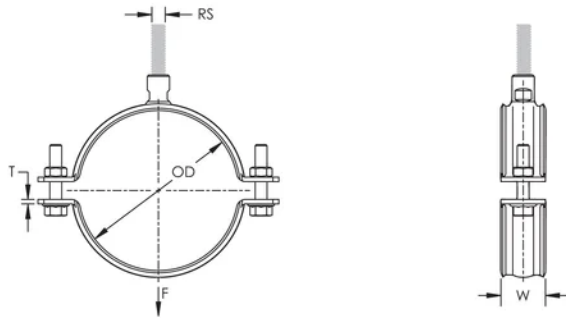
Screw Diameter (Sc): 8 mm

Screw Diameter metric (Sc): M8

Screw Length (L): 25mm

Static Load: 3500N

DIAGRAMS



WARNING

nVent products shall be installed and used only as indicated in nVent's product instruction sheets and training materials. Instruction sheets are available at www.nvent.com and from your nVent customer service representative. Improper installation, misuse, misapplication or other failure to completely follow nVent's instructions and warnings may cause product malfunction, property damage, serious bodily injury and death and/or void your warranty.

North America

+1.800.753.9221

Option 1 – Customer Care

Option 2 – Technical

Support

Europe

Netherlands:

+31 800-0200135

France:

+33 800 901 793

Europe

Germany:

800 1890272

Other Countries:

+31 13 5835404

APAC

Shanghai:

+ 86 21 2412 1618/19

Sydney:

+61 2 9751 8500



Our powerful portfolio of brands:

CADDY

ERICO

HOFFMAN

ILSCO

SCHROFF

TRACHTE

