

# Power Terminal, Lug-to-Tunnel, 800 A

## Data Solutions

### CATALOG NUMBER

---

**SBLT-800**



### CERTIFICATIONS

---



### FEATURES

---

Tinned copper block allows for copper or aluminum conductor connections

Accessible studs and tunnels allow for easy connection of nVent ERIFLEX Flexibar and other conductors

Design allows for visual inspection of conductor and confirmation of connection

Voltage detection and measurement connection

Adjustable transparent cover

Modular snap-together blocks for building multi-pole power blocks

Easily clips onto DIN rail or mounts to panel with screws

SBLEC Power Terminals Fixing Accessory required for direct panel mount

RoHS compliant

Halogen free

## PRODUCT ATTRIBUTES

---

Article Number: 561146

Material: Copper; Thermoplastic

Finish: Tinned

Max Current Rating, IEC: 1250A

Max Current Rating, UL/CSA: 760A

Short Term Withstand Current (Icw) 1s: 57.6kA

Peak Short Circuit Current (Ipk): 75kA

Short Circuit Current Rating (SCCR): 100kA

Max Working Voltage, IEC (Ui): 1000; 1500

Max Working Voltage, UL (Vin): 1000

Number of Stud Connections: 2

Stud Connection Conductor Width: (2) 20 – 40 mm; (1) 50 – 80 mm

Stud Connection Compact Stranded Wire Size: (2) 35 – 300 mm<sup>2</sup>

Stud Connection Wire Size: (2) #1 - 500 kcmil

Number of Tunnel Connections: 2

Tunnel Connection Compact Stranded Wire Size: (2) 95 – 240 mm<sup>2</sup>

Tunnel Connection Wire Size - Ferrule: (2) 50 – 185 mm<sup>2</sup>

Tunnel Connection Wire Size: (2) 3/0 – 500 kcmil

Depth (D): 75mm

Height (H): 205.7mm

Width (W): 115mm

A: 108mm

Unit Weight: 1.09kg

Certification Details: UL® 1059

Flammability Rating: UL® 94V-1

Complies With: IEC® 60947-7-1

## ADDITIONAL PRODUCT DETAILS

---

Power terminal connections are interchangeable and can be used as line side or load side connections.

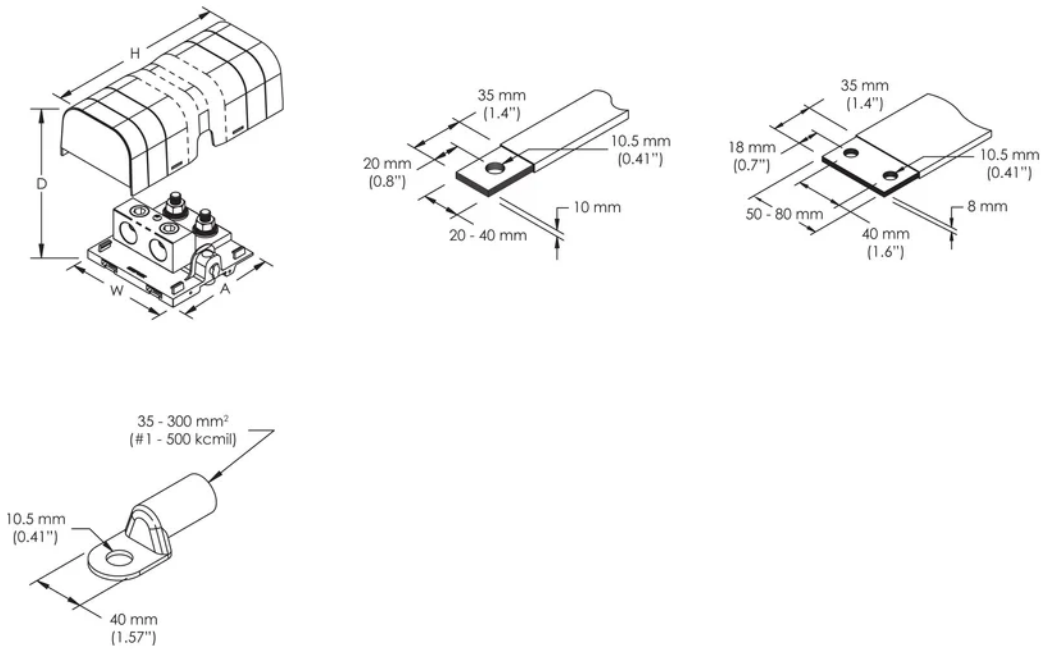
**Design Guideline for Distribution Blocks, Power Blocks and Power Terminals**

Derating according to Ambient\* Temperature (°C) to maintain working temperature of 85°C

Ambient Temperature (°C)	30°	35°	40°	45°	50°	55°	60°	65°	70°	75°
Derating Coefficient (d)	1	1	1	0.94	0.88	0.82	0.75	0.67	0.58	0.47

\*environment around the terminal blocks inside the enclosure

**DIAGRAMS**



**WARNING**

nVent products shall be installed and used only as indicated in nVent's product instruction sheets and training materials. Instruction sheets are available at [www.nvent.com](http://www.nvent.com) and from your nVent customer service representative. Improper installation, misuse, misapplication or other failure to completely follow nVent's instructions and warnings may cause product malfunction, property damage, serious bodily injury and death and/or void your warranty.



Our powerful portfolio of brands:

**CADDY   ERICO   HOFFMAN   ILSCO   SCHROFF   TRACHTE**