

Mounting Bracket Kit



Mounting bracket kits are field-installable. DMFK1 and DMFK2 include two 14-gauge steel external mounting brackets and fasteners. CMFK, CMFKSS, and CMTGFT include four brackets per kit.

FEATURES

Plastic mounting foot kits are rated for 500 lb (227 kg) maximum load

Sealing washers are provided with each kit to maintain Type 4 and 12 after installation

Stainless steel and plastic mounting bracket kits are rated to Type 4X

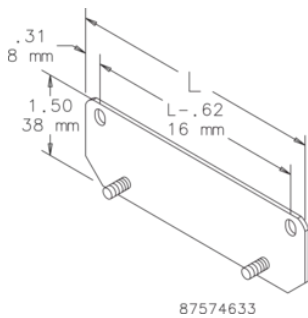
All hardware is included

SPECIFICATIONS

Table 1/1

Catalog Number	Article Number	Height (H)	Width (W)	Depth (D)	Material	Finish
DMFK1	60580	38mm	120mm	2mm	Mild Steel	Plated
DMFK2	60090	38mm	222mm	2mm	Mild Steel	Plated
CMFKSS	65750	78mm	34mm	15mm	Stainless Steel 304	Polished
CMTGFT	73370	78mm	34mm	15mm	Fiberglass	Smooth Matte
CMFK	62490	78mm	34mm	15mm	Mild Steel	Plated

DIAGRAMS



WARNING

nVent products shall be installed and used only as indicated in nVent's product instruction sheets and training materials. Instruction sheets are available at www.nvent.com and from your nVent customer service representative. Improper installation, misuse, misapplication or other failure to completely follow nVent's instructions and warnings may cause product malfunction, property damage, serious bodily injury and death and/or void your warranty.



Our powerful portfolio of brands:

CADDY ERICO HOFFMAN ILSCO SCHROFF TRACHTE