

# Front Panel, Retrofit Shielding



Flat front panel. Shieldable with stainless steel EMC gasket.

## CERTIFICATIONS



## FEATURES

For stainless steel EMC gasket

Al, 2.5 mm, front anodized, conductive

## SPECIFICATIONS

- Depth (D):** 2.5mm
- Material:** Aluminum
- Accessory Type:** Front panel
- Product Type:** Front Panel
- Type:** Front Panel without Handle
- EMC Shielding:** No (Retrofittable)

Table 1/2

| Catalog Number | Rack Height | Rack Width | Package Quantity | Mounting       | Gasket Type         | Front Finish |
|----------------|-------------|------------|------------------|----------------|---------------------|--------------|
| 20846-430      | 3U          | 8HP        | 1                | Screw-on Front | Stainless Steel EMC | Anodized     |

| Catalog Number | Rack Height | Rack Width | Package Quantity | Mounting       | Gasket Type            | Front Finish |
|----------------|-------------|------------|------------------|----------------|------------------------|--------------|
| 30846-588      | 2U          | 84HP       | 1                | Screw-on Front | Stainless Steel<br>EMC | Anodized     |
| 30846-771      | 6U          | 84HP       | 1                | Screw-on Front | Stainless Steel<br>EMC | Anodized     |
| 30846-676      | 3U          | 84HP       | 1                | Screw-on Front | Stainless Steel<br>EMC | Anodized     |
| 20846-445      | 6U          | 6HP        | 1                | Screw-on Front | Stainless Steel<br>EMC | Anodized     |
| 20846-456      | 6U          | 16HP       | 1                | Screw-on Front | Stainless Steel<br>EMC | Anodized     |
| 20846-434      | 3U          | 21HP       | 1                | Screw-on Front | Stainless Steel<br>EMC | Anodized     |
| 20846-454      | 6U          | 63HP       | 1                | Screw-on Front | Stainless Steel<br>EMC | Anodized     |
| 20846-427      | 3U          | 5HP        | 1                | Screw-on Front | Stainless Steel<br>EMC | Anodized     |
| 20846-436      | 3U          | 28HP       | 1                | Screw-on Front | Stainless Steel<br>EMC | Anodized     |
| 20846-453      | 6U          | 42HP       | 1                | Screw-on Front | Stainless Steel<br>EMC | Anodized     |
| 20846-452      | 6U          | 28HP       | 1                | Screw-on Front | Stainless Steel<br>EMC | Anodized     |
| 20846-429      | 3U          | 7HP        | 1                | Screw-on Front | Stainless Steel<br>EMC | Anodized     |
| 20846-451      | 6U          | 21HP       | 1                | Screw-on Front | Stainless Steel<br>EMC | Anodized     |
| 20846-450      | 6U          | 14HP       | 1                | Screw-on Front | Stainless Steel<br>EMC | Anodized     |
| 20846-443      | 6U          | 4HP        | 1                | Screw-on Front | Stainless Steel<br>EMC | Anodized     |
| 20846-449      | 6U          | 12HP       | 1                | Screw-on Front | Stainless Steel<br>EMC | Anodized     |
| 20846-437      | 3U          | 42HP       | 1                | Screw-on Front | Stainless Steel<br>EMC | Anodized     |
| 20846-428      | 3U          | 6HP        | 1                | Screw-on Front | Stainless Steel<br>EMC | Anodized     |
| 20846-446      | 6U          | 7HP        | 1                | Screw-on Front | Stainless Steel<br>EMC | Anodized     |

Table 2/2

| Catalog Number | Rack Height | Rack Width | Package Quantity | Mounting       | Gasket Type            | Front Finish |
|----------------|-------------|------------|------------------|----------------|------------------------|--------------|
| 20846-448      | 6U          | 10HP       | 1                | Screw-on Front | Stainless Steel<br>EMC | Anodized     |
| 20846-438      | 3U          | 63HP       | 1                | Screw-on Front | Stainless Steel<br>EMC | Anodized     |
| 20846-447      | 6U          | 8HP        | 1                | Screw-on Front | Stainless Steel<br>EMC | Anodized     |
| 20846-433      | 3U          | 14HP       | 1                | Screw-on Front | Stainless Steel<br>EMC | Anodized     |
| 20846-425      | 3U          | 3HP        | 1                | Screw-on Front | Stainless Steel<br>EMC | Anodized     |
| 20846-426      | 3U          | 4HP        | 1                | Screw-on Front | Stainless Steel<br>EMC | Anodized     |
| 20846-431      | 3U          | 10HP       | 1                | Screw-on Front | Stainless Steel<br>EMC | Anodized     |
| 30846-865      | 6U          | 2HP        | 1                | Screw-on Front | Stainless Steel<br>EMC | Anodized     |
| 30846-864      | 3U          | 2HP        | 1                | Screw-on Front | Stainless Steel<br>EMC | Anodized     |
| 20846-444      | 6U          | 5HP        | 1                | Screw-on Front | Stainless Steel<br>EMC | Anodized     |
| 20846-432      | 3U          | 12HP       | 1                | Screw-on Front | Stainless Steel<br>EMC | Anodized     |
| 30846-683      | 4U          | 84HP       | 1                | Screw-on Front | Stainless Steel<br>EMC | Anodized     |
| 30846-859      | 9U          | 84HP       | 1                | Screw-on Front | Stainless Steel<br>EMC | Anodized     |

Table 1/2

| Catalog Number | Rear Finish | Treated Edges | Complies With                   | Finish                  | Height (H) | Width (W) |
|----------------|-------------|---------------|---------------------------------|-------------------------|------------|-----------|
| 20846-430      | Conductive  | No            | IEC 60297-3-101, IEEE 1101.1/10 | Anodized                | 128.4mm    | 40.3mm    |
| 30846-588      | Conductive  | No            | IEC 60297-3-101, IEEE 1101.1/10 | Anodized,<br>Passivated | 84mm       | 426.4mm   |
| 30846-771      | Conductive  | No            | IEC 60297-3-101, IEEE 1101.1/10 | Anodized                | 261.8mm    | 426.4mm   |

| Catalog Number | Rear Finish | Treated Edges | Complies With                   | Finish               | Height (H) | Width (W) |
|----------------|-------------|---------------|---------------------------------|----------------------|------------|-----------|
| 30846-676      | Conductive  | No            | IEC 60297-3-101, IEEE 1101.1/10 | Anodized, Passivated | 128.4mm    | 426.4mm   |
| 20846-445      | Conductive  | No            | IEC 60297-3-101, IEEE 1101.1/10 | Anodized             | 261.8mm    | 30.1mm    |
| 20846-456      | Conductive  | No            | IEC 60297-3-101, IEEE 1101.1/10 | Anodized             | 261.8mm    | 80.9mm    |
| 20846-434      | Conductive  | No            | IEC 60297-3-101, IEEE 1101.1/10 | Anodized             | 128.4mm    | 106.3mm   |
| 20846-454      | Conductive  | No            | IEC 60297-3-101, IEEE 1101.1/10 | Anodized             | 261.8mm    | 319.7mm   |
| 20846-427      | Conductive  | No            | IEC 60297-3-101, IEEE 1101.1/10 | Anodized             | 128.4mm    | 25mm      |
| 20846-436      | Conductive  | No            | IEC 60297-3-101, IEEE 1101.1/10 | Anodized             | 128.4mm    | 141.9mm   |
| 20846-453      | Conductive  | No            | IEC 60297-3-101, IEEE 1101.1/10 | Anodized             | 261.8mm    | 213mm     |
| 20846-452      | Conductive  | No            | IEC 60297-3-101, IEEE 1101.1/10 | Anodized             | 261.8mm    | 141.9mm   |
| 20846-429      | Conductive  | No            | IEC 60297-3-101, IEEE 1101.1/10 | Anodized             | 128.4mm    | 35.2mm    |
| 20846-451      | Conductive  | No            | IEC 60297-3-101, IEEE 1101.1/10 | Anodized             | 261.8mm    | 106.3mm   |
| 20846-450      | Conductive  | No            | IEC 60297-3-101, IEEE 1101.1/10 | Anodized             | 261.8mm    | 70.8mm    |
| 20846-443      | Conductive  | No            | IEC 60297-3-101, IEEE 1101.1/10 | Anodized             | 261.8mm    | 20mm      |
| 20846-449      | Conductive  | No            | IEC 60297-3-101, IEEE 1101.1/10 | Anodized             | 261.8mm    | 60.6mm    |

| Catalog Number | Rear Finish | Treated Edges | Complies With                   | Finish   | Height (H) | Width (W) |
|----------------|-------------|---------------|---------------------------------|----------|------------|-----------|
| 20846-437      | Conductive  | No            | IEC 60297-3-101, IEEE 1101.1/10 | Anodized | 128.4mm    | 213mm     |
| 20846-428      | Conductive  | No            | IEC 60297-3-101, IEEE 1101.1/10 | Anodized | 128.4mm    | 30.1mm    |
| 20846-446      | Conductive  | No            | IEC 60297-3-101, IEEE 1101.1/10 | Anodized | 261.8mm    | 35.2mm    |

Table 2/2

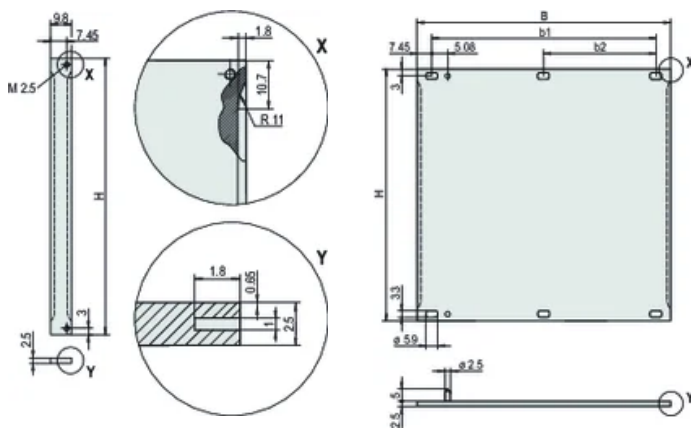
| Catalog Number | Rear Finish | Treated Edges | Complies With                   | Finish   | Height (H) | Width (W) |
|----------------|-------------|---------------|---------------------------------|----------|------------|-----------|
| 20846-448      | Conductive  | No            | IEC 60297-3-101, IEEE 1101.1/10 | Anodized | 261.8mm    | 50.5mm    |
| 20846-438      | Conductive  | No            | IEC 60297-3-101, IEEE 1101.1/10 | Anodized | 128.4mm    | 319.7mm   |
| 20846-447      | Conductive  | No            | IEC 60297-3-101, IEEE 1101.1/10 | Anodized | 261.8mm    | 40.3mm    |
| 20846-433      | Conductive  | No            | IEC 60297-3-101, IEEE 1101.1/10 | Anodized | 128.4mm    | 70.8mm    |
| 20846-425      | Conductive  | No            | IEC 60297-3-101, IEEE 1101.1/10 | Anodized | 128.4mm    | 14.9mm    |
| 20846-426      | Conductive  | No            | IEC 60297-3-101, IEEE 1101.1/10 | Anodized | 128.4mm    | 20mm      |
| 20846-431      | Conductive  | No            | IEC 60297-3-101, IEEE 1101.1/10 | Anodized | 128.4mm    | 50.5mm    |
| 30846-865      | Conductive  | No            | IEC 60297-3-101, IEEE 1101.1/10 | Anodized | 261.8mm    | 9.8mm     |
| 30846-864      | Conductive  | No            | IEC 60297-3-101, IEEE 1101.1/10 | Anodized | 128.4mm    | 9.8mm     |
| 20846-444      | Conductive  | No            | IEC 60297-3-101, IEEE 1101.1/10 | Anodized | 261.8mm    | 25mm      |

| Catalog Number | Rear Finish | Treated Edges | Complies With                   | Finish   | Height (H) | Width (W) |
|----------------|-------------|---------------|---------------------------------|----------|------------|-----------|
| 20846-432      | Conductive  | No            | IEC 60297-3-101, IEEE 1101.1/10 | Anodized | 128.4mm    | 60.6mm    |
| 30846-683      | Conductive  | No            | IEC 60297-3-101, IEEE 1101.1/10 | Anodized | 172.9mm    | 426.4mm   |
| 30846-859      | Conductive  | No            | IEC 60297-3-101, IEEE 1101.1/10 | Anodized | 395.1mm    | 426.4mm   |

## ADDITIONAL PRODUCT DETAILS

Please order fixing material (sleeves, collar screws) separately.

## DIAGRAMS



## WARNING

nVent products shall be installed and used only as indicated in nVent's product instruction sheets and training materials. Instruction sheets are available at [www.nvent.com](http://www.nvent.com) and from your nVent customer service representative. Improper installation, misuse, misapplication or other failure to completely follow nVent's instructions and warnings may cause product malfunction, property damage, serious bodily injury and death and/or void your warranty.

### North America

All locations

+1.763.422.2661

Chat with us:

[nvent.com/schroff](https://nvent.com/schroff)

### Europe

Straubenhardt, Germany

+49.7082.794.0

Betschdorf, France

+33.3.88.90.64.90

Warsaw, Poland

+48.22.209.98.35

Assago, Italy

+39.02.932.7141

Chat with us:

[nvent.com/schroff](https://nvent.com/schroff)

### Asia

Shanghai, China

+86.21.2412.6943

Qingdao, China

+86.532.8771.6101

Singapore

+65.6768.5800

Shin-Yokohama, Japan

+81.45.476.0271

Chat with us:

[nvent.com/schroff](https://nvent.com/schroff)

### Middle East & India

Dubai, United Arab

Emirates

+971.4.378.1700

Bangalore, India

+91.80.6715.2001

Istanbul, Turkey

+90.216.250.7374

Chat with us:

[nvent.com/schroff](https://nvent.com/schroff)



Our powerful portfolio of brands:

**CADDY**

**ERICO**

**HOFFMAN**

**ILSCO**

**SCHROFF**

**TRACHTE**