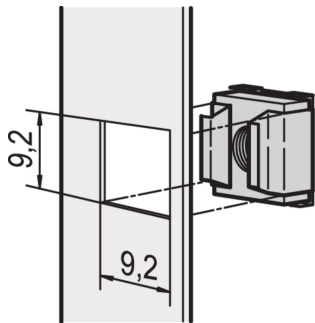


Cage Nut Kit



Cage nuts permit range of choice of nut and bolts sizes and easily replaced unlike pre-threaded holes. Cage nuts are easy to use on materials too thin or soft to be threaded.

CERTIFICATIONS



FEATURES

For assembly of parts which require a thread size of M4 or M5

For standard grounding use a grounding nut and washer on at least one attachment point

SPECIFICATIONS

Product Type: Nut
Material: Steel

Table 1/1

| Catalog Number | Finish | Package Quantity | Thread Size | Product Family | Type | Works With |
|----------------|-------------|------------------|-------------|----------------|---------------------|---|
| 21120-127 | Zinc Plated | 10 | M4 | | Cage Nut, Grounding | Front Panels, Eurorack, Novastar, Varistar, Varistar CP |

| Catalog Number | Finish | Package Quantity | Thread Size | Product Family | Type | Works With |
|----------------|-------------|------------------|-------------|---|---------------------|---|
| 21120-129 | Zinc Plated | 10 | M5 | | Cage Nut, Grounding | Front Panels, Eurorack, Novastar, Varistar, Varistar CP |
| 21120-131 | Zinc Plated | 10 | M6 | RatiopacPRO, RatiopacPRO AIR, CompacPRO, PropacPRO, Comptec, Inpac, MultipacPRO | Cage Nut, Grounding | Front Panels, Eurorack, Novastar, Varistar, Varistar CP |
| 21100-003 | Zinc Plated | 50 | M6 | RatiopacPRO, RatiopacPRO AIR, CompacPRO, PropacPRO, Comptec, Inpac, MultipacPRO | Cage Nut | Front Panels, Eurorack, Novastar, Varistar, Varistar CP |
| 21100-001 | Zinc Plated | 50 | M4 | | Cage Nut | Front Panels, Eurorack, Novastar, Varistar, Varistar CP |
| 21100-215 | Zinc Plated | 50 | M5 | | Cage Nut | Front Panels, Eurorack, Novastar, Varistar, Varistar CP |
| 21100-216 | Zinc Plated | 100 | M5 | | Cage Nut | Front Panels, Eurorack, Novastar, Varistar, Varistar CP |
| 21120-130 | Zinc Plated | 100 | M5 | | Cage Nut, Grounding | Front Panels, Eurorack, Novastar, Varistar, Varistar CP |
| 21120-132 | Zinc Plated | 100 | M6 | RatiopacPRO, RatiopacPRO AIR, CompacPRO, PropacPRO, Comptec, Inpac, MultipacPRO | Cage Nut, Grounding | Front Panels, Eurorack, Novastar, Varistar, Varistar CP |

| Catalog Number | Finish | Package Quantity | Thread Size | Product Family | Type | Works With |
|----------------|-------------|------------------|-------------|---|---------------------|---|
| 21120-128 | Zinc Plated | 100 | M4 | | Cage Nut, Grounding | Front Panels, Eurorack, Novastar, Varistar, Varistar CP |
| 21100-004 | Zinc Plated | 100 | M6 | RatiopacPRO, RatiopacPRO AIR, CompacPRO, PropacPRO, Comptec, Inpac, MultipacPRO | Cage Nut | Front Panels, Eurorack, Novastar, Varistar, Varistar CP |
| 21100-002 | Zinc Plated | 100 | M4 | | Cage Nut | Front Panels, Eurorack, Novastar, Varistar, Varistar CP |

WARNING

nVent products shall be installed and used only as indicated in nVent's product instruction sheets and training materials. Instruction sheets are available at www.nvent.com and from your nVent customer service representative. Improper installation, misuse, misapplication or other failure to completely follow nVent's instructions and warnings may cause product malfunction, property damage, serious bodily injury and death and/or void your warranty.

North America

All locations
+1.763.422.2661
Chat with us:
nvent.com/schroff

Europe

Straubenhardt, Germany
+49.7082.794.0
Betschdorf, France
+33.3.88.90.64.90
Warsaw, Poland
+48.22.209.98.35
Assago, Italy
+39.02.932.7141
Chat with us:
nvent.com/schroff

Asia

Shanghai, China
+86.21.2412.6943
Qingdao, China
+86.532.8771.6101
Singapore
+65.6768.5800
Shin-Yokohama, Japan
+81.45.476.0271
Chat with us:
nvent.com/schroff

Middle East & India

Dubai, United Arab Emirates
+971.4.378.1700
Bangalore, India
+91.80.6715.2001
Istanbul, Turkey
+90.216.250.7374
Chat with us:
nvent.com/schroff



Our powerful portfolio of brands:

CADDY ERICO HOFFMAN ILSCO SCHROFF TRACHTE