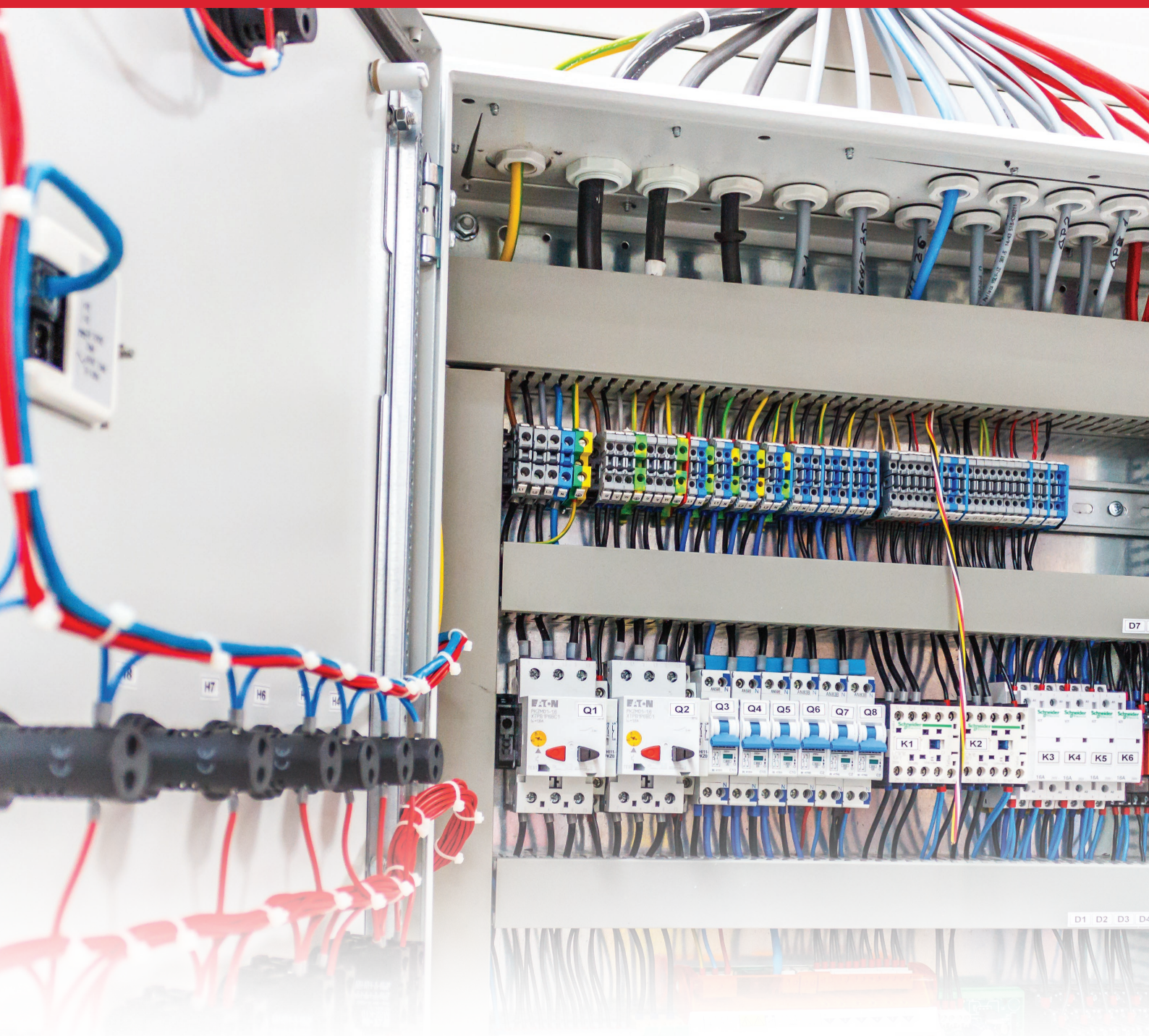


# Cable Management











# Table of Contents

<b>Cable Glands .....</b>	<b>4</b>
Plastic Cable Glands, CPG.....	4
Simple Protection Cables Entry, CES .....	5
Double Protection Cables Entry, CED.....	6
Cable Anchorage Glands, CAG .....	7
Plastic Cable Plates, EHTC.....	8
<b>Cable Entry Systems.....</b>	<b>10</b>
Cable Entry Plate Round Low, CEPRL .....	10
Cable Entry Plate Low, CEPL.....	11
Cable Entry Plate High, CEPH.....	12
Connected Cable Entry Outside, CCFO .....	13
Connected Cable Entry Locking, CCFLO (outside) and CCFLI (inside) .....	14
Connected Cable Entry Divider, CCFD.....	15
Connected Cable Entry Grommets, CCFG.....	16

# Cable Management

## Cable Glands

### PLASTIC CABLE GLANDS, CPG

**Description:** Traditional cable fittings. Known for excellent strain relief even while providing a high protection class. Plastic lock nuts for fixation are included in the delivery.

**Material:** Fitting body made of polyamide PA6, and sealing made of neoprene.

**Temperature resistance:** -20°C to +100°C

**Flammability:** V-2 according to UL94

**Finish:** RAL 7035

**Protection:** IP 66



Item no.	Thread	Cable Size	Pack quantity
CPG12	M12 x 1.5	3-6.5	100
CPG16	M16 x 1.5	5-10	50
CPG20	M20 x 1.5	6-12	50
CPG25	M25 x 1.5	13-18	50
CPG32	M32 x 1.5	18-25	20
CPG40	M40 x 1.5	22-32	10
CPG50	M50 x 1.5	30-38	5
CPG63	M63 x 1.5	34-44	5

# Cable Management

## Cable Glands

### SIMPLE PROTECTION CABLES ENTRY, CES

**Description:** Simple grommet manufactured in a rubber-like material. The installation does not require tools. The "pushout" membrane is a permanent seal until it is penetrated by a cable or pipe. It is equipped with a sock that closes tight around the cable and allows for it to be moved around like a "joy-stick" in the opening without endangering the IP, so it works extremely well with cables passing through at an angle. Suitable for holes in materials of 0.5 to 4.5 mm thickness.

**Material:** TPE (thermoplastic elastomer), halogen free

**Temperature resistance:** -50°C to +125°C

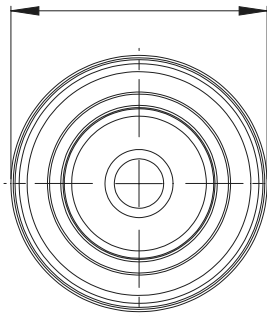
**Finish:** RAL 7035

**Protection:** IP 67

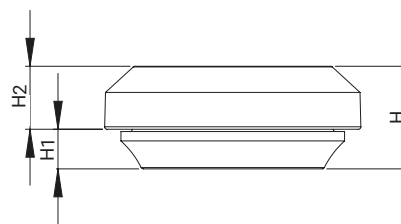


Item no.	H	H1	H2	Metric	Diameter	Cable diameter (mm)	Hole diameter (mm)	Pack quantity
CES16	11.0	4.0	6.75	M16	23.5	5-10	16.5	50
CES20	11.0	4.0	6.75	M20	27.5	6-13	20.5	50
CES25	11.0	4.0	6.75	M25	39.5	8-17	25.5	50
CES32	11.0	4.0	6.75	M32	39.5	12-24	32.5	25

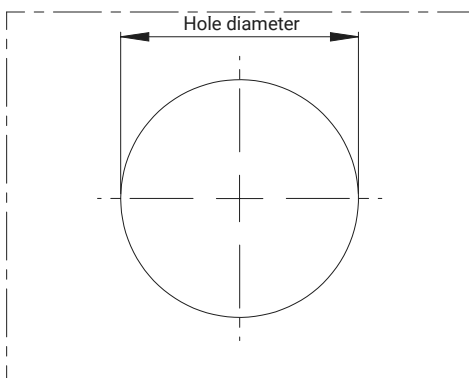
Front view  
Diameter



Side view



Cut-out



# Cable Management

## Cable Glands

### DOUBLE PROTECTION CABLES ENTRY, CED

**Description:** The rubber grommet is very simple to use. The installation does not require tools, which in turn means lower work cost. The “pushout” membrane is a permanent seal until it is penetrated by a cable or pipe. Suitable for holes in materials of 0.5 to 4 mm thickness.

**Material:** EPDM, halogen free

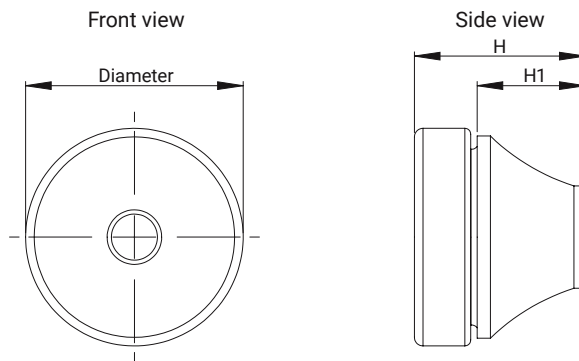
**Temperature resistance:** -40°C to +110°C

**Finish:** RAL 7035

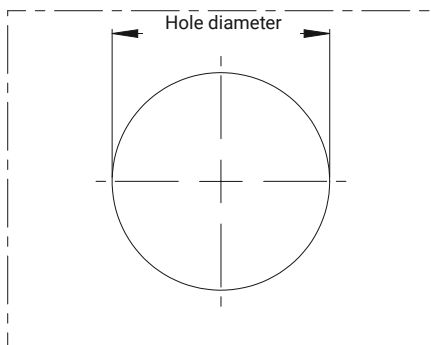
**Protection:** IP 67



Item no.	H	H1	Metric	Diameter	Cable diameter (mm)	Hole diameter (mm)	Pack quantity
CED12	12.8	5.6	M12	20.0	4-7	12.5	50
CED16	17.7	11.0	M16	21.0	5-9	16.5	50
CED20	20.0	13.4	M20	25.5	8-13	20.5	50
CED25	21.3	15.3	M25	30.5	11-17	25.5	50
CED32	24.6	18.6	M32	38.5	15-20	32.5	25
CED40	29.5	21.7	M40	48.5	19-28	40.5	25
CED50	34.8	25.0	M50	60.5	27-35	50.5	10



Cut-out



# Cable Management

## Cable Glands

### CABLE ANCHORAGE GLANDS, CAG

**Description:** Two-component grommet with membrane seal and cable anchorage. The installation does not require tools, it is self-adjusting to its surrounding wall thickness and click-fixed in place. Because of its compact design it only extends 5.7 mm outside the enclosure on which it is mounted. The “pushout” membrane is a permanent seal until it is penetrated by a cable or pipe. Suitable for holes in materials of 0.7 to 3 mm thickness.

**Material:** TPE and polyamide 66, halogen free

**Temperature resistance:** -20°C to +125°C

**Finish:** RAL 7035

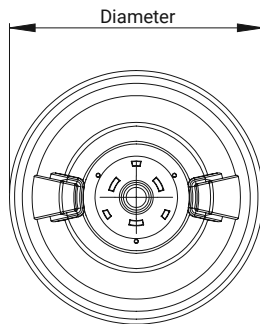
**Protection:** IP 67, 65, waterproof

**Pack quantity:** 50 pieces

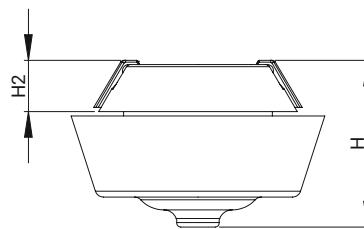


Item no.	H	H2	Metric	Diameter	Cable diameter (mm)	Hole diameter (mm)
CAG20	17-20	5.7	M20	34-37	7-11	20.5
CAG25	17-20	5.7	M25	39-42	7-13	25.5

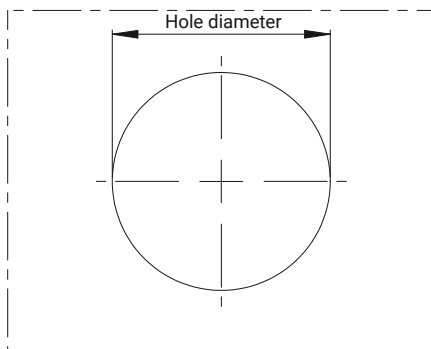
Front view



Side view



Cut-out



# Cable Management

## Cable Glands

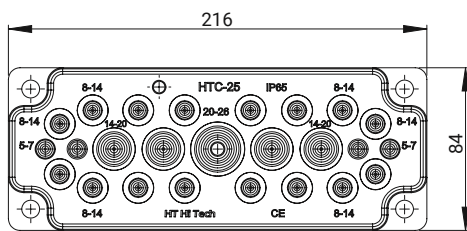
### PLASTIC CABLE PLATES, EHTC

- Description:** Gland plates suitable for leading through cables as well as different types of tubing. To be installed directly to the adapter gland plate AFA. Please see the cable management section.
- Material:** Different types of polymers reinforced with a steel plate. Halogen free and UV resistant.
- Protection:** IP 65
- Finish:** RAL 7035
- Pack quantity:** 1 piece with mounting accessories

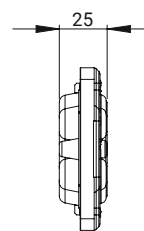


For opening	Item no.
FL21	EHTC2125G
FL21	EHTC213G
FL21	EHTC2135G
FL21	EHTC2150G

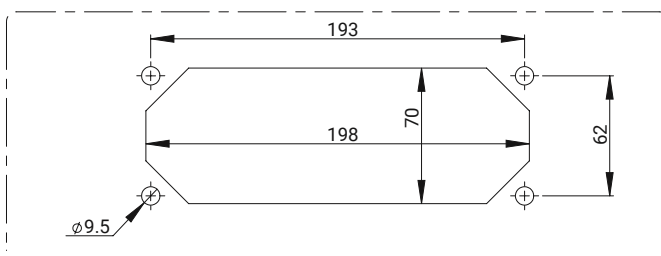
Front view



Side view



Cut-out





# Cable Management

## Cable Glands

Cable/Tube diameter (mm)	EHTC2125G	EHTC213G	EHTC2135G	EHTC2150G
5-7	4			
6-10			4	
6-14		3		
7-12			12	
7-13				49
8-14/7-10	16			
10-14			16	
12-18			2	
14-20/5-10	4			
15-25				1
17-32			1	
20-26/12-15	1			
24-54		2		
30-59		1		



# Cable Management

## Cable Entry Systems

### CABLE ENTRY PLATE ROUND LOW, CEPRL

**Description:** Quick and easy to install without tools, round cable entries are ideally suited for applications that require many incoming or outgoing cables or pneumatic conduits inside an enclosure. The snap-in system is designed for wall thicknesses of 1.5 to 2.5 mm.

**Material:** TPE

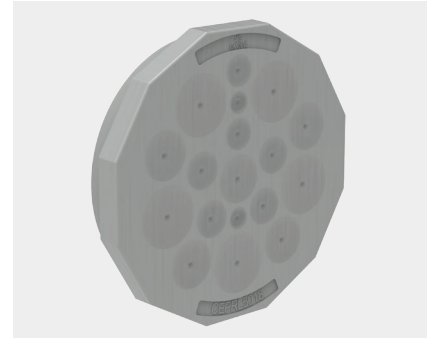
**Temperature resistance:** -40°C to +90°C

**Flammability:** UL94 V-0

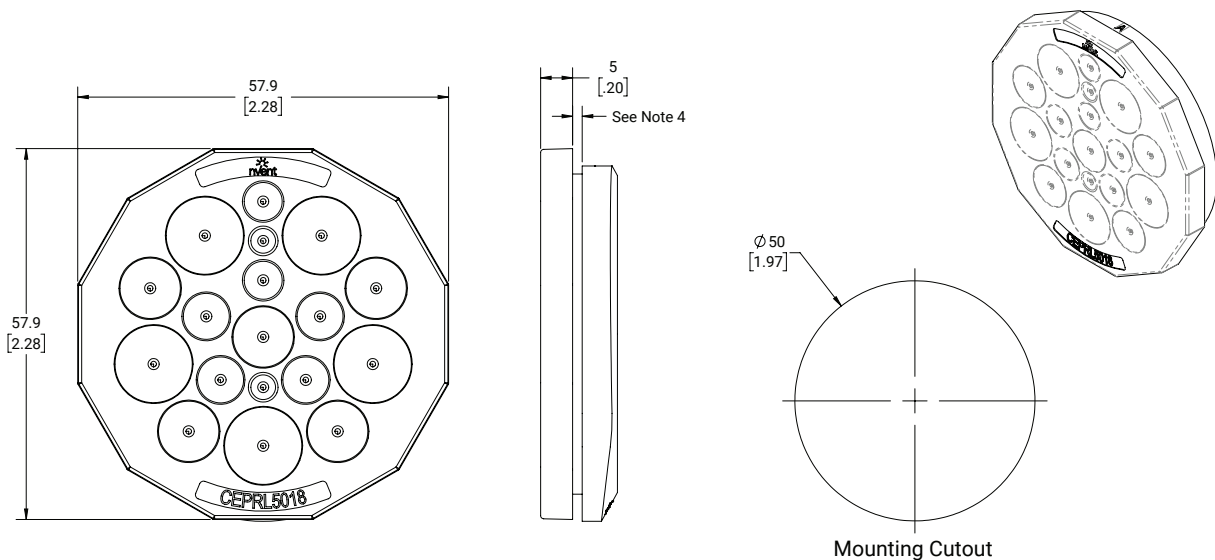
**Finish:** Gray

**Protection:** IP54, NEMA 1, 4x, 12 (Indoor use only)

**Pack quantity:** 10



Item no.	Description	H (mm)	W (mm)	D (mm)	Number of Cables x Wire Diameter Range (mm/in)
CEPRL5009	Round cable entry 9 openings	58	58	12	5 x 1.0–7.0 mm (.04–.28); 4 x 1.0–18.0 mm (.04–.71)
CEPRL5011	Round cable entry 11 openings	58	58	12	7 x 1.0–7.2 mm (.04–.28); 3 x 1.0–11.2 mm (.04–.44); 1 x 1.0–22.5 mm (.04–.89)
CEPRL5012	Round cable entry 12 openings	58	58	12	10 x 1.0–9.2 mm (.04–.36); 2 x 1.0–11.2 mm (.04–.44)
CEPRL5016	Round cable entry 16 openings	58	58	12	4 x 1.0–5.3 mm (.04–.21); 5 x 1.0–6.3 mm (.04–.25); 3 x 1.0–9.5 mm (.04–.37); 4 x 1.0–11.3 mm (.04–.44)
CEPRL5018	Round cable entry 18 openings	58	58	12	2 x 1.0–4.0 mm (.04–.16); 2 x 1.0–6.0 mm (.04–.24); 4 x 1.0–7.2 mm (.04–.28); 5 x 1.0–9.4 mm (.04–.37); 5 x 1.0–12.0 mm (.04–.47)
CEPRL5020	Round cable entry 20 openings	58	58	12	16 x 1.0–6.3 mm (.04–.25); 4 x 1.0–9.3 mm (.04–.37)
CEPRL5035	Round cable entry 35 openings	58	58	12	35 x 1.0–5.2 mm (.04–.20)

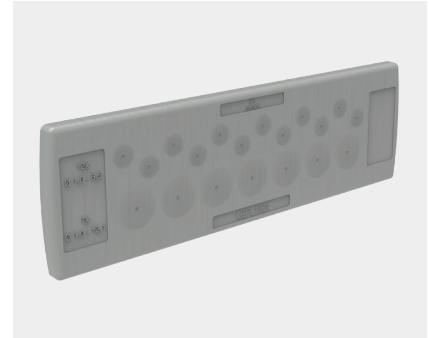


# Cable Management

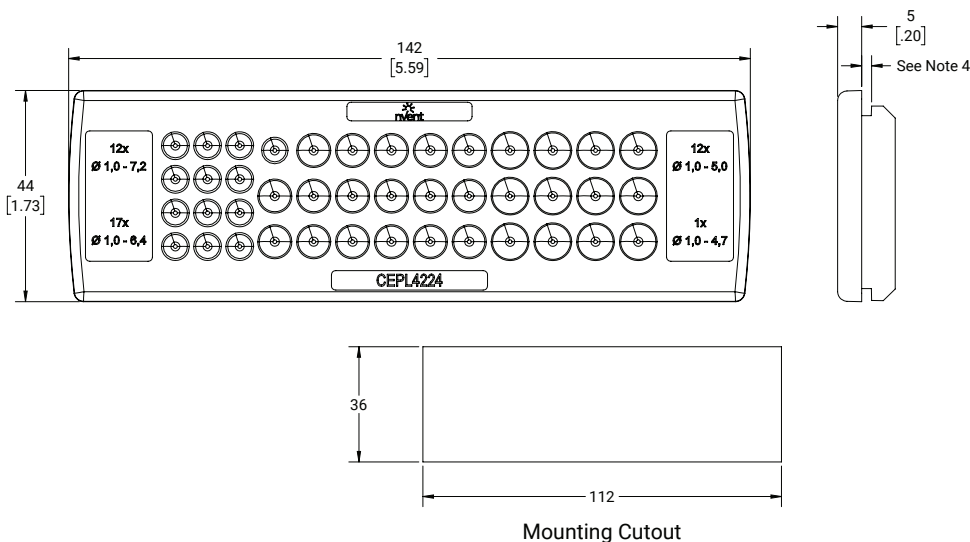
## Cable Entry Systems

### CABLE ENTRY PLATE LOW, CEPL

- Description:** Fast, cost-effective and tool-free cable entry for incoming cables and/or pneumatic conduits inside an enclosure. The snap-in system works for wall thicknesses of 1.5 to 2.5 mm.
- Material:** TPE
- Temperature resistance:** -40°C to +90°C
- Flammability:** UL94 V-0
- Finish:** Gray
- Protection:** IP54, NEMA 1, 4x, 12 (Indoor use only)
- Pack quantity:** 10



Item no.	Description	H (mm)	W (mm)	D (mm)	Number of Cables x Wire Diameter Range (mm/in)
CEPL 1224	Cable entry 12 openings	44	142	12	12 x 1.0–15.0 mm (.04–.59)
CEPL 1424	Cable entry 14 openings	44	142	12	12 x 1.0–15.0 mm (.04–.59)
CEPL 1724	Cable entry 17 openings	44	142	12	5 x 1.0–10.5 mm (.04–.41); 12 x 1.0–12.6 mm (.04–.50)
CEPL 1824	Cable entry 18 openings	44	142	12	4 x 1.0–6.5 mm (.04–.26); 5 x 1.0–10.5 mm (.04–.41); 5 x 1.0–12.5 mm (.04–.49); 4 x 1.0–16.1 mm (.04–.63)
CEPL 1924	Cable entry 19 openings	44	142	12	12 x 1.0–6.5 mm (.04–.26); 7 x 1.0–12.1 mm (.04–.48)
CEPL 2624	Cable entry 26 openings	44	142	12	16 x 1.0–6.5 mm (.04–.26); 4 x 1.0–12.1 mm (.04–.48); 4 x 1.0–16.1 mm (.04–.63); 2 x ASI-LTG
CEPL 4224	Cable entry 42 openings	44	142	12	12 x 1.0–7.2 mm (.04–.28); 17 x 1.0–6.4 mm (.04–.25); 12 x 1.0–5.0 mm (.04–.20); 1 x 1.0–4.7 mm (.04–.19)
CEPL 4824	Cable entry 48 openings	44	142	12	48 x 1.0–6.5 mm (.04–.26)
CEPL 5024	Cable entry 50 openings	44	142	12	50 x 1.0–6.5 mm (.04–.26)





# Cable Management

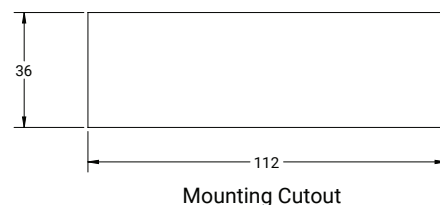
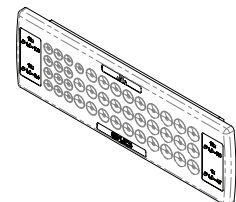
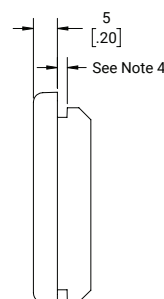
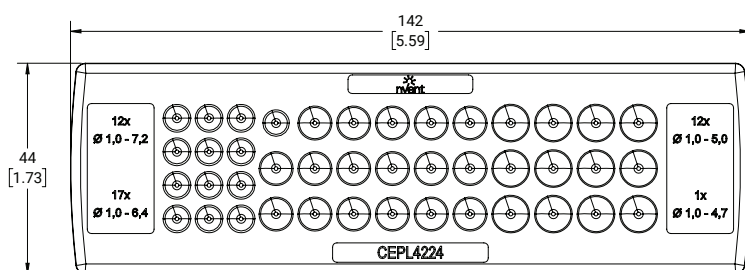
## Cable Entry Systems

### CABLE ENTRY PLATE HIGH, CEPH

- Description:** Fast, cost-effective cable entry with a tight seal for incoming cables and/or pneumatic conduits inside an enclosure. Can be affixed with screws or the built-in snap-in system that works for wall thicknesses of 1.5 to 2.5 mm.
- Material:** Polyamide 6.6/TPE
- Temperature resistance:** -40°C to +90°C
- Flammability:** UL94 V-0
- Finish:** Black
- Protection:** IP66, NEMA 1, 4x, 12 (Indoor use only)
- Pack quantity:** 1 piece



Item no.	Description	H (mm)	W (mm)	D (mm)	Number of Cables x Wire Diameter Range (mm/in)
CEPH 1324	Cable entry 13 openings	58	149,6	12	0 x 3.2–6.3 mm (.13–.25); 3 x 16.0–20.5 mm (.63–.81)
CEPH 1624	Cable entry 16 openings	58	149,7	12	2 x 3.2–6.3 mm (.13–.25); 9 x 4.0–7.5 mm (.16–.30); 1 x 5.5–10.5 mm (.22–.41); 1 x 8.0–12.5 mm (.31–.49); 3 x 12.0–16.2 mm (.47–.64)
CEPH16124	Cable entry 16 openings	58	149,8	12	8 x 3.2–5.5 mm (.13–.22); 6 x 5.0–8.5 mm (.20–.33); 2 x 9.5–14.5 mm (.37–.57)
CEPH2024	Cable entry 20 openings	58	149,9	12	12 x 3.2–6.3 mm (.13–.25); 8 x 5.5–10.5 mm (.22–.41)
CEPH2124	Cable entry 21 openings	58	149,10	12	1 x 3.2–6.3 mm (.13–.25); 14 x 4.0–7.5 mm (.16–.30); 4 x 5.5–10.5 mm (.22–.41); 2 x 8.0–12.5 mm (.31–.49)
CEPH3224	Cable entry 32 openings	58	149,11	12	32 x 3.2–6.3 mm (.13–.25)



# Cable Management

## Cable Entry Systems

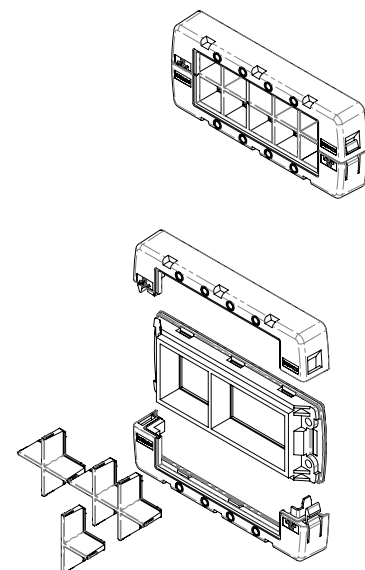
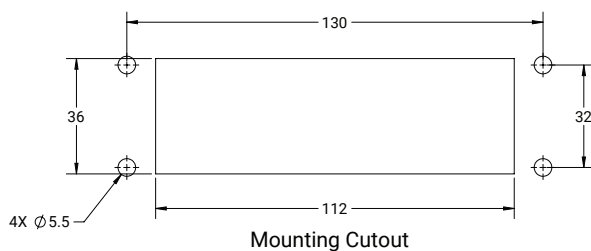
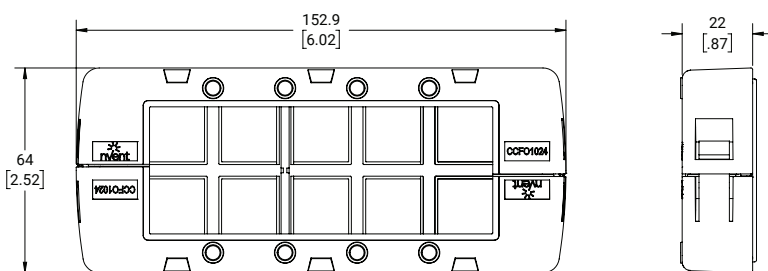
### CONNECTED CABLE ENTRY OUTSIDE, CCFO

**Description:** An inverted cable entry system, the CCFO enables complete assembly from the outside of the enclosure. It is made of sturdy, glass-fiber reinforced plastic. The rubber seal helps ensure an optimal seal with IP66 protection. The CCFO comes prepared with inlays to fit small grommets (CCFGS). CCFG grommets need to be ordered separately. CCFD dividers can be bought separately if a different configuration is needed.

**Material:** Polyamide 6.6/TPE  
**Temperature resistance:** -40°C to +120°C  
**Flammability:** UL94 V-0  
**Finish:** Black  
**Protection:** IP66, NEMA 1, 4x, 12 (Indoor use only)  
**Delivery:** Frame, protected hood + Inlay for CCFGS  
**Pack quantity:** 1 piece



Item no.	Description	H (mm)	W (mm)	D (mm)	Cable entries
CCFO14	Inver.Modular cable ent 1/4	64	81	24.2	4
CCFO610	Inver.Modular cable ent 6/10	64	106	24.2	6
CCFO816	Inver.Modular cable ent 8/16	64	126	24.2	8
CCFO1024	Inver.Modular cable ent 10/24	64	153	24.2	10



# Cable Management

## Cable Entry Systems

### CONNECTED CABLE ENTRY LOCKING, CCFL0 (OUTSIDE) AND CCFLI (INSIDE)

**Description:** The locking frames are compatible with CCFO and CCFI cable entry systems. The locking elements help ensure grommets cannot be pushed out without using tools. To maintain UL-certification, CCFL0 needs to be used together with CCFO.

**Material:** Polyamide 6.6

**Temperature resistance:** -40°C to +120°C

**Flammability:** UL94 V-0

**Finish:** Black



CCFL0



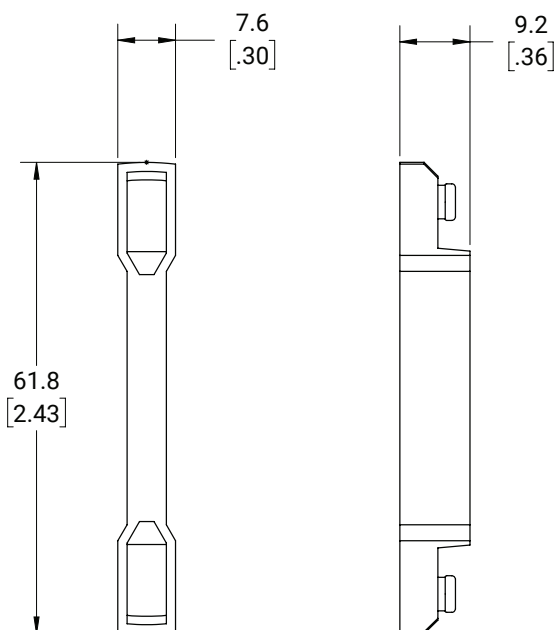
CCFLI

#### Connected cable locking outside (CCFL0)

Item no.	Description	H (mm)	W (mm)	D (mm)	Package Quantity
CCFL001	Locking frame for CCFL0	77	62	9	20

#### Connected cable locking inside (CCFLI)

Item no.	Description	H (mm)	W (mm)	D (mm)	Package Quantity
CCFLI14	Locking frame for CCFI14	80	70	11.5	10
CCFLI610	Locking frame for CCFI610	105	70	11.5	10
CCFLI816	Locking frame for CCFI816	125	70	11.5	10
CCFLI1024	Locking frame for CCFI1024	152	70	11.5	10





# Cable Management

## Cable Entry Systems

### CONNECTED CABLE ENTRY DIVIDER, CCFD

**Description:** With the CCFD click-in inlays, dimensioning of the frame opening can be adjusted based on to the grommet being used. An audible click confirms correct installation. This flexible cable entry configuration enables you to accommodate various requirements for cables, lines, tubing, pneumatic and hydraulic lines.

**Material:** Polyamide 6.6/TPE

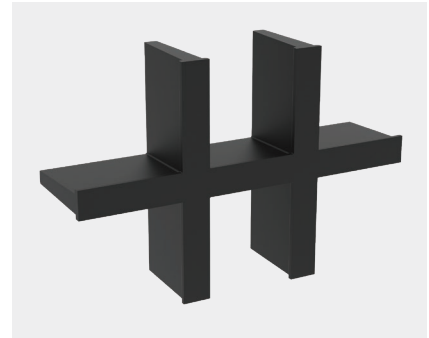
**Temperature resistance:** -40°C to +90°C

**Flammability:** UL94 V-0

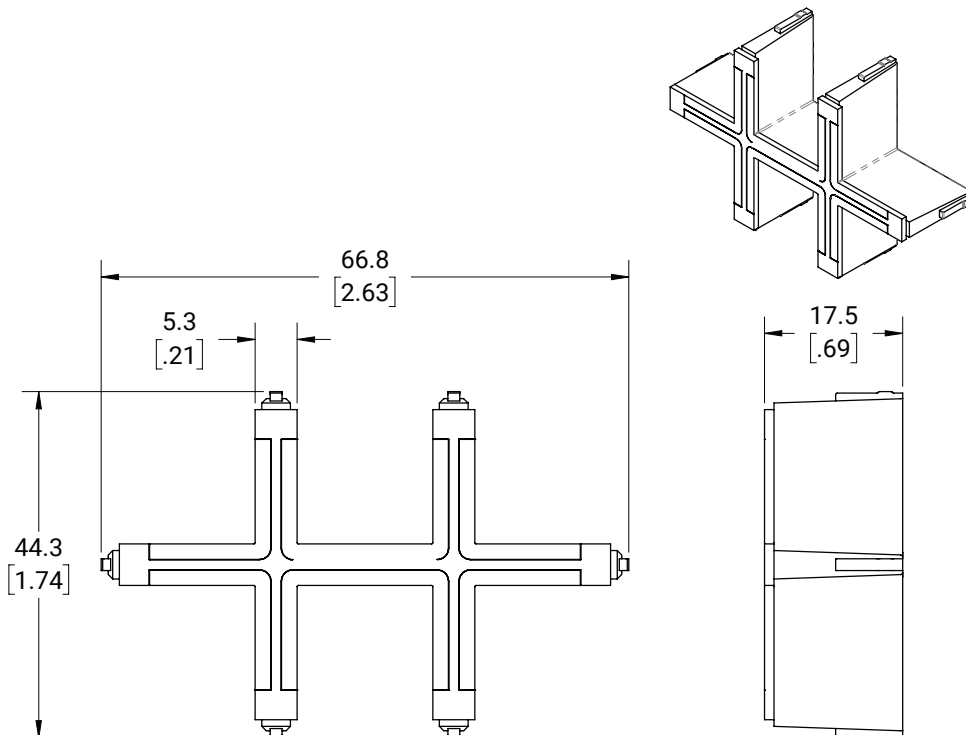
**Finish:** Black

**Protection:** IP66, NEMA 1, 4x, 12 (Indoor use only)

**Pack quantity:** 5 pieces



Item no.	Description	H (mm)	W (mm)	D (mm)	Design
CCFD1	Cable entry divider 1G	5	45	17.7	1-slot
CCFD2	Cable entry divider 2G	25	45	17.7	2-slot
CCFD4	Cable entry divider 4G	45	45	17.7	4-slot
CCFD6	Cable entry divider 6G	70	45	17.7	6-slot



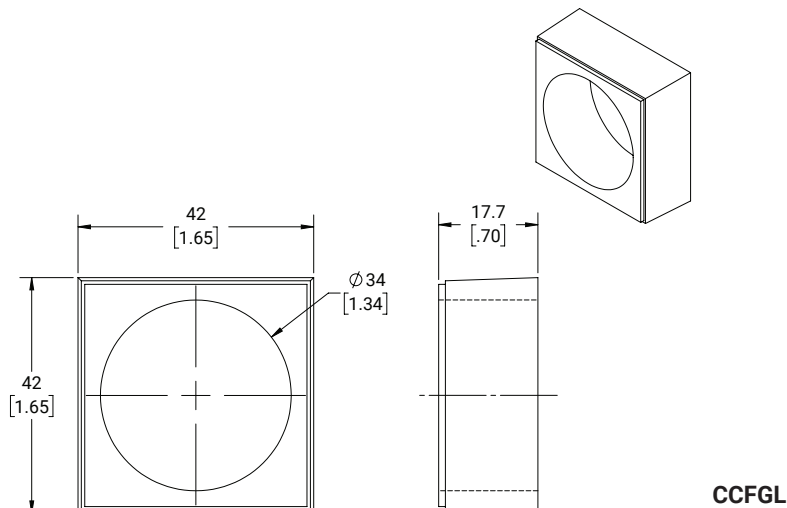
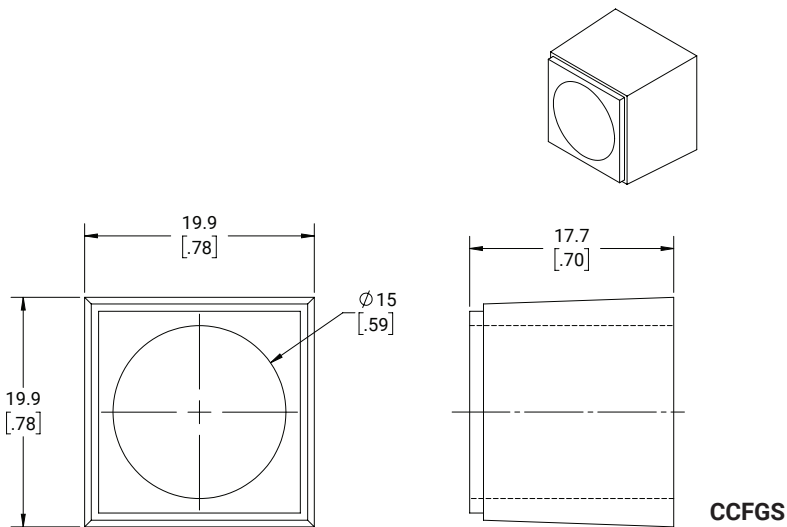
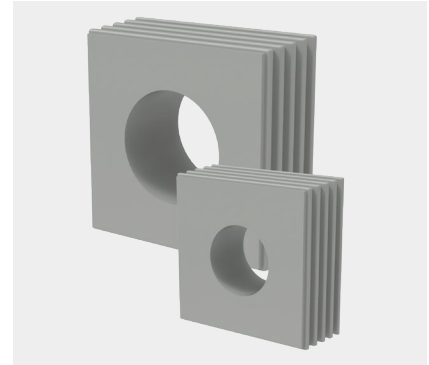
# Cable Management

## Cable Entry Systems

### CONNECTED CABLE ENTRY GROMMETS, CCFG

**Description:** The CCFG system is available in two sizes: small and large. The conical shape of the grommets allows them to be easily pressed in and provides static strain relief in accordance with DIN EN 62444. For assembly, they are pressed from the inside out into the openings of the assembled inlays. The grommets are available in two different sizes to match the diameter of the cable. The CCFG is first placed around the cable and then inserted into the cable gland. Thanks to the wave-cut profile, there is no need to remove the connector on the assembled cabled.

- Material:** TPE
- Temperature resistance:** -40°C to +90°C
- Flammability:** UL94 V-0
- Finish:** Gray
- Protection:** IP66, NEMA 1, 4x, 12 (Indoor use only)
- Pack quantity:** 10 pieces



# Cable Management

## Cable Entry Systems

### Connected cable entry grommet small, CCFGS

Item no.	Description	H (mm)	W (mm)	D (mm)	Cable diameter, max. (mm)	Cable diameter, min. (mm)
CCFGS015	Grommet small 1.5–2 mm	20.3	20.3	17.7	2	1
CCFGS2	Grommet small 2–3 mm	20.3	20.3	17.7	3	2
CCFGS3	Grommet small 3–4 mm	20.3	20.3	17.7	4	3
CCFGS4	Grommet small 4–5 mm	20.3	20.3	17.7	5	4
CCFGS5	Grommet small 5–6 mm	20.3	20.3	17.7	6	5
CCFGS6	Grommet small 6–7 mm	20.3	20.3	17.7	7	6
CCFGS7	Grommet small 7–8 mm	20.3	20.3	17.7	8	7
CCFGS8	Grommet small 8–9 mm	20.3	20.3	17.7	9	8
CCFGS9	Grommet small 9–10 mm	20.3	20.3	17.7	10	9
CCFGS10	Grommet small 10–11 mm	20.3	20.3	17.7	11	10
CCFGS11	Grommet small 11–12 mm	20.3	20.3	17.7	12	11
CCFGS12	Grommet small 12–13 mm	20.3	20.3	17.7	13	12
CCFGS13	Grommet small 13–14 mm	20.3	20.3	17.7	14	13
CCFGS14	Grommet small 14–15 mm	20.3	20.3	17.7	15	14
CCFGS15	Grommet small 15–16 mm	20.3	20.3	17.7	16	15

### Connected cable entry grommet large, CCFGL

Item no.	Description	H (mm)	W (mm)	D (mm)	Cable diameter, max. (mm)	Cable diameter, min. (mm)
CCFGL14	Grommet large 14–15 mm	42.8	42.8	17.7	15	14
CCFGL15	Grommet large 15–16 mm	42.8	42.8	17.7	16	15
CCFGL16	Grommet large 16–17 mm	42.8	42.8	17.7	17	16
CCFGL17	Grommet large 17–18 mm	42.8	42.8	17.7	18	17
CCFGL18	Grommet large 18–19 mm	42.8	42.8	17.7	19	18
CCFGL19	Grommet large 19–20 mm	42.8	42.8	17.7	20	19
CCFGL20	Grommet large 20–21 mm	42.8	42.8	17.7	21	20
CCFGL21	Grommet large 21–22 mm	42.8	42.8	17.7	22	21
CCFGL22	Grommet large 22–23 mm	42.8	42.8	17.7	23	22
CCFGL23	Grommet large 23–24 mm	42.8	42.8	17.7	24	23
CCFGL24	Grommet large 24–25 mm	42.8	42.8	17.7	25	24
CCFGL25	Grommet large 25–26 mm	42.8	42.8	17.7	26	25
CCFGL26	Grommet large 26–27 mm	42.8	42.8	17.7	27	26
CCFGL27	Grommet large 27–28 mm	42.8	42.8	17.7	28	27
CCFGL28	Grommet large 28–29 mm	42.8	42.8	17.7	29	28
CCFGL29	Grommet large 29–30 mm	42.8	42.8	17.7	30	29
CCFGL30	Grommet large 30–31 mm	42.8	42.8	17.7	31	30
CCFGL31	Grommet large 31–32 mm	42.8	42.8	17.7	32	31
CCFGL32	Grommet large 32–33 mm	42.8	42.8	17.7	33	32
CCFGL33	Grommet large 33–34 mm	42.8	42.8	17.7	34	33
CCFGL34	Grommet large 34–35 mm	42.8	42.8	17.7	35	34









Our powerful portfolio of brands:

**CADDY   ERICO   HOFFMAN   ILSCO   SCHROFF   TRACHTE**