

Cat HP J-hook, pre-galvanized, 1 5/16" dia

Data Solutions

CATALOG NUMBER

CAT21HP



The Improved nVent CADDY Cat HP J-Hook with BC26 Beam Clamp is an innovative assembly featuring a combination of the Improved nVent CADDY Cat HP J-Hook with a BC26 Beam Clamp attachment. This solution attaches easily to beam flanges, dramatically reducing installation time and improving productivity.

Engineered for high-performance data cable management, this system supports Cat 5e, Cat 6, Cat 6A, Cat 7, and fiber optic cables with superior fill capacity and load ratings compared to most non-continuous alternatives. The Assemblies' rounded edges ensure proper bend radius support, protecting cable integrity and optimizing performance.

CERTIFICATIONS



FEATURES

One through-hole for easier installation of threaded rod

Versa-Mount Technology: Innovative attachment design provides multiple structural and installation methods for wall, ceiling, and threaded rod mounting applications

Improved design allows for optimized inventory, reducing job site scheduling risks associated with multiple SKUs

Provides optimal support for high-performance data cable—including category cable, Power over Ethernet (PoE), and fiber optic

Complies with EN 50174-2

Meets ISO®/IEC 14763-2, ANSI®/TIA 568 and ANSI®/TIA 569

PRODUCT ATTRIBUTES

Material: Steel

Finish: Pregalvanized

Diameter (Ø): 33.3mm

Area: 1174mm²

Cable Capacity, Cat 5e: 50

Cable Capacity, Cat 6: 40

Cable Capacity, Cat 6A: 25

Height 1 (H1): 122.2mm

Height 2 (H2): 103.6mm

Static Load: 267N

ADDITIONAL PRODUCT DETAILS

Non-continuous supports may not exceed spacing of 5' (1.5 m) per TIA 569-C.9.7 and EN 50174-2.

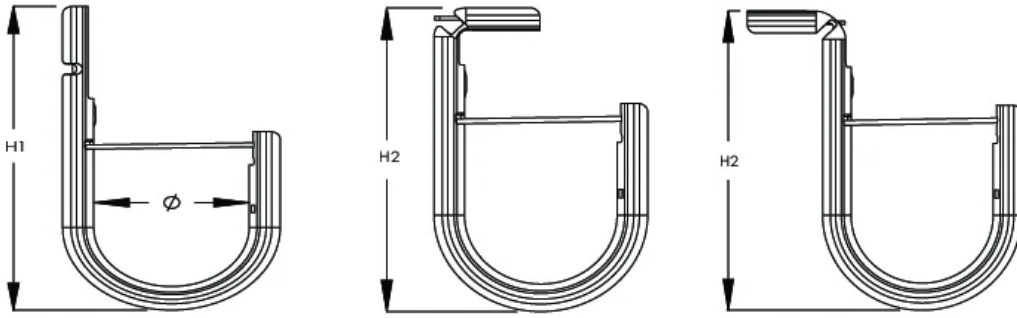
Cable capacity is calculated based on a 70% fill rate.

Fire Rated Power Cable Capacity (Distance between J-hooks must not exceed 500 mm center to center)

Part Number		CAT16HP		CAT32HP CAT48HP		CAT64HP		CAT64HP	
Configuration		Single Layer		Single Layer		Single Layer		Double Layer	
Max Load per Support [kg/m]		0.8 kg/m		1.4 kg/m		2.6 kg/m		2 kg/m	
Cable	Linear Weight of the Cable [kg/m]	Number of Cables	Classification	Number of Cables	Classification	Number of Cables		Classification	
4x1,5 (N)HXH FE180 E30- E60	0.234	3	E30	5	E30 E60	11	E30 E60	8	E30 E60
5x1,5 (N)HXH FE180 E30-E60	0.277	2		5		9		7	
7x1,5 (N)HXH FE180 E30-E60	0.330	2		4		7		6	
12x1,5 (N)HXH FE180 E30-E60	0.513	1		2	E30	5	E30	3	E30
19x1,5 (N)HXH FE180 E30-E60	0.715	1		1		3		2	
24x1,5 (N)HXH FE180 E30-E60	0.901	-		1		2		2	
30x1,5 (N)HXH FE180 E30-E60	1.052	-		1		2		1	
2x2,5 (N)HXH FE180 E30-E60	0.178	4	E30	-		-		-	
3x2,5 (N)HXH FE180 E30-E60	0.250	3		-		-		-	
4x2,5 (N)HXH FE180 E30-E60	0.296	2		-		-		-	
5x2,5 (N)HXH FE180 E30-E60	0.352	2		-		-		-	
4x1,5 (N)HXH FE180 E90	0.234	3		E30 E60 E90	5		11		8
5x1,5 (N)HXH FE180 E90	0.277	2	5		E30 E60 E90	9	E30 E60 E90	7	E30 E60 E90
7x1,5 (N)HXH FE180 E90	0.330	2	4			7		6	

12x1,5 (N)HXH FE180.511 E90		1	2	5	3	
24x1,5 (N)HXH FE180.901 E90		-		1	2	2
2x2x0,8 JE- H(St)H...Bd FE180 E30- E90	0.060	13	E30	-	-	-
4x2x0,8 JE- H(St)H...Bd FE180 E30- E90	0.102	7		-	-	-
8x2x0,8 JE- H(St)H...Bd FE180 E30- E90	0.221	3		-	-	-
12x2x0,8 JE- H(St)H...Bd FE180 E30- E90	0.281	2		-	-	-
16x2x0,8 JE- H(St)H...Bd FE180 E30- E90	0.326	2		-	-	-
20x2x0,8 JE- H(St)H...Bd FE180 E30- E90	0.421	1		-	-	-
32x2x0,8 JE- H(St)H...Bd FE180 E30- E90	0.588	1		-	-	-
40x2x0,8 JE- H(St)H...Bd FE180 E30- E90	0.761	1		-	-	-
Fire rating applicable when linking specified J-hook to the following components	Fire rating applicable to the following riveted assemblies					
Part number	Part number					
CATHPAN	CAT16HPAB	CAT32HPAB	CAT48HPAB	CAT64HPAB		
CATHPA4	CAT16HPBCB	CAT32HPAFAB3	CAT48HPAFAB3	CAT64HPAFAB3		
CATHPA6	CAT16HPBC200B	CAT32HPAFAB3	CAT48HPAFAB3	CAT64HPAFAB4		
CATHPTM	CAT16HP24SM	CAT32HPAFAB3	CAT48HPBCB	CAT64HPBCB		
CATHPBCB	CAT16HP58SM	CAT32HPBCB	CAT48HP58SM	CAT64HPBC200B		
CATHPBC200B	CAT16HP912SM	CAT32HPBC200B	CAT48HP912SM	CAT64HP58SM		
CATHP912SM	CAT16HP24	CAT32HP24SM	CAT48HP24	CAT64HP912SM		
CATHP24	CAT16HP58	CAT32HP912SM	CAT48HP58	CAT64HP24		
CATHP58	-	CAT32HP24	-	-		
CATHP912	-	-	-	-		

DIAGRAMS



WARNING

nVent products shall be installed and used only as indicated in nVent's product instruction sheets and training materials. Instruction sheets are available at www.nvent.com and from your nVent customer service representative. Improper installation, misuse, misapplication or other failure to completely follow nVent's instructions and warnings may cause product malfunction, property damage, serious bodily injury and death and/or void your warranty.



Our powerful portfolio of brands:

CADDY ERICO HOFFMAN ILSCO SCHROFF TRACHTE