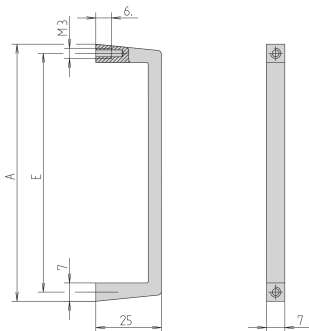


Front Handle, Width 7 mm



Slim Aluminium profile front handle, 7 mm. The assembly of the handle will be done from the rear side.

CERTIFICATIONS



FEATURES

Static load-carrying capacity 10 kg/pair

The assembly of the handle will be done from the rear side

SPECIFICATIONS

Width:	7mm
Static Load:	10kg
Material:	Aluminum
Finish:	Anodized
Product Family:	EuropacPRO; MultipacPRO
Product Type:	Handle

Table 1/1

Catalog Number	Package Quantity	Handle Type	Color	Works With
10501-001	1	Straight	Silver	Subracks, Chassis, Front Panels
10501-002	1	Straight	Silver	Subracks, Chassis, Front Panels

ADDITIONAL PRODUCT DETAILS

Please take into consideration that deliveries may be carried out in the stated SPQs (SPQ, e.g. 5 pieces, 10 pieces, 50 pieces, etc.). Differing order quantities (e.g. 2 pieces) may be changed to the next possible delivery quantity = Standard Pack Quantity.

WARNING

nVent products shall be installed and used only as indicated in nVent's product instruction sheets and training materials. Instruction sheets are available at www.nvent.com and from your nVent customer service representative. Improper installation, misuse, misapplication or other failure to completely follow nVent's instructions and warnings may cause product malfunction, property damage, serious bodily injury and death and/or void your warranty.

North America

All locations
+1.763.422.2661
Chat with us:
nvent.com/schroff

Europe

Straubenhardt, Germany
+49.7082.794.0
Betschdorf, France
+33.3.88.90.64.90
Warsaw, Poland
+48.22.209.98.35
Assago, Italy
+39.02.932.7141
Chat with us:
nvent.com/schroff

Asia

Shanghai, China
+86.21.2412.6943
Qingdao, China
+86.532.8771.6101
Singapore
+65.6768.5800
Shin-Yokohama, Japan
+81.45.476.0271
Chat with us:
nvent.com/schroff

Middle East & India

Dubai, United Arab Emirates
+971.4.378.1700
Bangalore, India
+91.80.6715.2001
Istanbul, Turkey
+90.216.250.7374
Chat with us:
nvent.com/schroff



Our powerful portfolio of brands:

CADDY ERICO HOFFMAN ILSCO SCHROFF TRACHTE