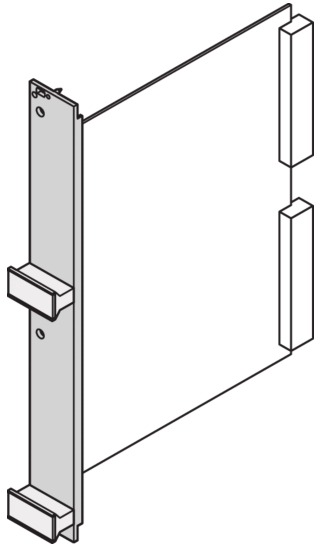


Plug-In Unit U-Profile Front Panel for Static Trapezoid Handle



U-profile front panel. Enables the assembly of a plastic or Alu-profile static trapezoid handle. The front panel can be shielded with a textile gasket.

CERTIFICERINGER



FUNKTIONER

Al extrusion, front anodized, rear conductive, alignment pin pressed-in, stainless steel

Front panel, U-profile, shieldable

SPECIFIKATIONER

Materiale:	Aluminium
Finish:	Anodized; Passivated
Accessory Type:	Front panel
Product Type:	Front Panel
Type:	Front Panel for Handle (PIU)
EMC Shielding:	No (Retrofittable)

Table 1/3

Katalognummer	Rack Height	Rack Width	Pakke mængde	Håndtagstype	Mounting	Gasket Type
30849-089	3U	6HP	1	Trapezoid, Static, Aluminum Profile	Screw-on Front	Textile EMC
30849-087	3U	4HP	1	Trapezoid, Static, Aluminum Profile	Screw-on Front	Textile EMC
30849-098	6U	4HP	1	Trapezoid, Static, Aluminum Profile	Screw-on Front	Textile EMC
30849-099	6U	5HP	1	Trapezoid, Static, Aluminum Profile	Screw-on Front	Textile EMC
30849-097	6U	3HP	1	Trapezoid, Static, Aluminum Profile	Screw-on Front	Textile EMC
30849-100	6U	6HP	1	Trapezoid, Static, Aluminum Profile	Screw-on Front	Textile EMC
30849-093	3U	12HP	1	Trapezoid, Static, Aluminum Profile	Screw-on Front	Textile EMC
30849-101	6U	7HP	1	Trapezoid, Static, Aluminum Profile	Screw-on Front	Textile EMC
30849-092	3U	10HP	1	Trapezoid, Static, Aluminum Profile	Screw-on Front	Textile EMC
30849-102	6U	8HP	1	Trapezoid, Static, Aluminum Profile	Screw-on Front	Textile EMC
30849-088	3U	5HP	1	Trapezoid, Static, Aluminum Profile	Screw-on Front	Textile EMC

Katalognummer	Rack Height	Rack Width	Pakke mængde	Håndtagstype	Mounting	Gasket Type
30849-091	3U	8HP	1	Trapezoid, Static, Aluminum Profile	Screw-on Front	Textile EMC
30849-103	6U	10HP	1	Trapezoid, Static, Aluminum Profile	Screw-on Front	Textile EMC
30849-090	3U	7HP	1	Trapezoid, Static, Aluminum Profile	Screw-on Front	Textile EMC
30849-104	6U	12HP	1	Trapezoid, Static, Aluminum Profile	Screw-on Front	Textile EMC
30849-086	3U	3HP	1	Trapezoid, Static, Aluminum Profile	Screw-on Front	Textile EMC

Table 2/3

Katalognummer	Front Finish	Rear Finish	Treated Edges	Complies With	Dybde	Højde
30849-089	Anodized	Conductive	No	IEC 60297-3-101	2.5mm	128.4mm
30849-087	Anodized	Conductive	No	IEC 60297-3-101	2.5mm	128.4mm
30849-098	Anodized	Conductive	No	IEC 60297-3-101	2.5mm	261.8mm
30849-099	Anodized	Conductive	No	IEC 60297-3-101	2.5mm	261.8mm
30849-097	Anodized	Conductive	No	IEC 60297-3-101	2.5mm	261.8mm
30849-100	Anodized	Conductive	No	IEC 60297-3-101	2.5mm	261.8mm
30849-093	Anodized	Conductive	No	IEC 60297-3-101	2.5mm	128.4mm
30849-101	Anodized	Conductive	No	IEC 60297-3-101	2.5mm	261.8mm
30849-092	Anodized	Conductive	No	IEC 60297-3-101	2.5mm	128.4mm

Katalognummer	Front Finish	Rear Finish	Treated Edges	Complies With	Dybde	Højde
30849-102	Anodized	Conductive	No	IEC 60297-3-101	2.5mm	261.8mm
30849-088	Anodized	Conductive	No	IEC 60297-3-101	2.5mm	128.4mm
30849-091	Anodized	Conductive	No	IEC 60297-3-101	2.5mm	128.4mm
30849-103	Anodized	Conductive	No	IEC 60297-3-101	2.5mm	261.8mm
30849-090	Anodized	Conductive	No	IEC 60297-3-101	2.5mm	128.4mm
30849-104	Anodized	Conductive	No	IEC 60297-3-101	2.5mm	261.8mm
30849-086	Anodized	Conductive	No	IEC 60297-3-101	2.5mm	128.4mm

Table 3/3

Katalognummer	Bredde
30849-089	30.1mm
30849-087	20mm
30849-098	20mm
30849-099	25mm
30849-097	14.9mm
30849-100	30.1mm
30849-093	60.6mm
30849-101	35.2mm
30849-092	50.5mm
30849-102	40.3mm
30849-088	25mm
30849-091	40.3mm
30849-103	50.5mm
30849-090	35.2mm
30849-104	60.6mm
30849-086	14.9mm

YDERLIGERE PRODUKTOPLYSNINGER

Please order EMC profile seal separately.

Please take into consideration that deliveries may be carried out in the stated SPQs (SPQ, e.g. 5 pieces, 10 pieces, 50 pieces, etc.). Differing order quantities (e.g. 2 pieces) may be changed to the next possible delivery quantity = Standard Pack Quantity.

ADVARSEL

nVent-produkter skal kun installeres og anvendes som angivet i nVents produktvejledninger og træningsmaterialer. Vejledninger er tilgængelige på www.nvent.com og hos din nVent kundeservicerepræsentant. Forkert installation, misbrug, fejlanvendelse eller anden undladelse af fuldt ud at følge nVents instruktioner og advarsler kan medføre funktionsfejl, materielle skader, alvorlige personskader eller død og/eller ugyldiggøre din garanti.

North America

All locations
+1.763.422.2661
Chat with us:
nvent.com/schroff

Europe

Straubenhardt, Germany
+49.7082.794.0
Betschdorf, France
+33.3.88.90.64.90
Warsaw, Poland
+48.22.209.98.35
Assago, Italy
+39.02.932.7141
Chat with us:
nvent.com/schroff

Asia

Shanghai, China
+86.21.2412.6943
Qingdao, China
+86.532.8771.6101
Singapore
+65.6768.5800
Shin-Yokohama, Japan
+81.45.476.0271
Chat with us:
nvent.com/schroff

Middle East & India

Dubai, United Arab Emirates
+971.4.378.1700
Bangalore, India
+91.80.6715.2001
Istanbul, Turkey
+90.216.250.7374
Chat with us:
nvent.com/schroff



Vores kraftfulde portefølje af mærker:

CADDY ERICO HOFFMAN ILSCO SCHROFF TRACHTE