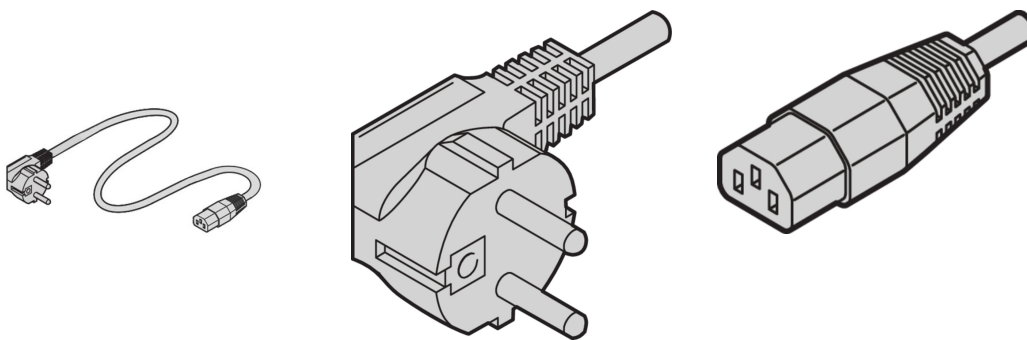


# Mains Cable, SCHUKO/UTE to IEC C13, 2.5 m, Grey

## KATALOGNUMMER

60103-131



nVent SCHROFF Mains cable provides practical, universal fastening with variable attachment facilities. They are general in nature and fit in to different applications like Fans, cabinet lights, etc., Industrial PC connections, Uninterruptible power supplies, Systems.

## CERTIFICERINGER



## FUNKTIONER

Applications: Fans, cabinet lights, Industrial PC connections, Uninterruptible power supplies and Systems

## PRODUKTEGENSKABER

Input Connector: SCHUKO / UTE

Output Connector: IEC C13

Length: 2500mm

Pakke mængde: 1

Farve: Grey

Connector Type: Straight

Materiale: PVC

Product Type: Cable

Net Weight: 0.27kg

## ADVARSEL

nVent-produkter skal kun installeres og anvendes som angivet i nVents produktvejledninger og træningsmaterialer. Vejledninger er tilgængelige på [www.nvent.com](http://www.nvent.com) og hos din nVent kundeservicerepræsentant. Forkert installation, misbrug, fejlanvendelse eller anden unndladelse af fuldt ud at følge nVents instruktioner og advarsler kan medføre funktionsfejl, materielle skader, alvorlige personskader eller død og/eller ugyldiggøre din garanti.

### North America

All locations  
+1.763.422.2661  
Chat with us:  
[nvent.com/schroff](http://nvent.com/schroff)

### Europe

Straubenhardt, Germany  
+49.7082.794.0  
Betschdorf, France  
+33.3.88.90.64.90  
Warsaw, Poland  
+48.22.209.98.35  
Assago, Italy  
+39.02.932.7141  
Chat with us:  
[nvent.com/schroff](http://nvent.com/schroff)

### Asia

Shanghai, China  
+86.21.2412.6943  
Qingdao, China  
+86.532.8771.6101  
Singapore  
+65.6768.5800  
Shin-Yokohama, Japan  
+81.45.476.0271  
Chat with us:  
[nvent.com/schroff](http://nvent.com/schroff)

### Middle East & India

Dubai, United Arab  
Emirates  
+971.4.378.1700  
Bangalore, India  
+91.80.6715.2001  
Istanbul, Turkey  
+90.216.250.7374  
Chat with us:  
[nvent.com/schroff](http://nvent.com/schroff)



Vores kraftfulde portefølje af mærker:

**CADDY ERICO HOFFMAN ILSCO SCHROFF TRACHTE**