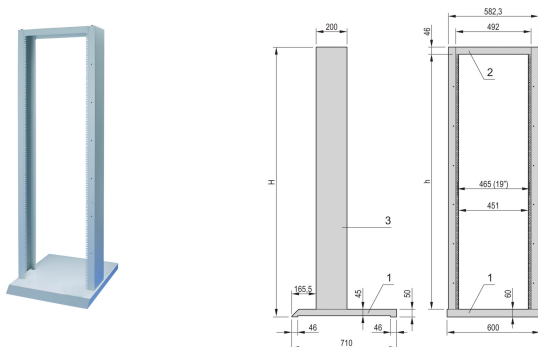


# Labrack 19" Open Rack Stationary Base

## KATALOGNUMMER

**20118-743**



The Labrack open frame 19" cabinet can have a mobile base as an option, generally chosen for test and measurement verticals.

## CERTIFICERINGER



## FUNKTIONER

Is generally chosen for test and measurement verticals

## PRODUKTEGENSKABER

Product Type: Rack

Produktfamilie: Labrack

Frame Material: Stål

Bredde: 600mm

Dybde: 710mm

Static Load: 150kg

Complies With: IEC 60297-3-100

Finish: Struktur Pulvermaling

Gross Weight: 14.5kg

Materiale: Stål

Pakke mængde: 1

## YDERLIGERE PRODUKTOPLYSNINGER

Please order uprights separately.

The Labrack open frame 19" cabinet can have a stationary base as an option.

## ADVARSEL

nVent-produkter skal kun installeres og anvendes som angivet i nVents produktvejledninger og træningsmaterialer. Vejledninger er tilgængelige på [www.nvent.com](http://www.nvent.com) og hos din nVent kundeservicerepræsentant. Forkert installation, misbrug, fejlanvendelse eller anden undladelse af fuldt ud at følge nVents instruktioner og advarsler kan medføre funktionsfejl, materielle skader, alvorlige personskader eller død og/eller ugyldiggøre din garanti.

### North America

All locations  
+1.763.422.2661  
Chat with us:  
[nvent.com/schroff](http://nvent.com/schroff)

### Europe

Straubenhardt, Germany  
+49.7082.794.0  
Betschdorf, France  
+33.3.88.90.64.90  
Warsaw, Poland  
+48.22.209.98.35  
Assago, Italy  
+39.02.932.7141  
Chat with us:  
[nvent.com/schroff](http://nvent.com/schroff)

### Asia

Shanghai, China  
+86.21.2412.6943  
Qingdao, China  
+86.532.8771.6101  
Singapore  
+65.6768.5800  
Shin-Yokohama, Japan  
+81.45.476.0271  
Chat with us:  
[nvent.com/schroff](http://nvent.com/schroff)

### Middle East & India

Dubai, United Arab Emirates  
+971.4.378.1700  
Bangalore, India  
+91.80.6715.2001  
Istanbul, Turkey  
+90.216.250.7374  
Chat with us:  
[nvent.com/schroff](http://nvent.com/schroff)



Vores kraftfulde portefølje af mærker:

**CADDY ERICO HOFFMAN ILSCO SCHROFF TRACHTE**